

THE ITEM(S) SHOWN IN THIS DRAWING MUST NOT CONTAIN FORMALDEHYDE, CADMIUM, MERCURY, ASBESTOS OR PBB/PBDO.

THIS DRAWING CONTAINS CONFIDENTIAL INFORMATION. ITS PROPERTY OF ELECTROLUX WITHOUT WHOSE PERMISSION IT MAY NOT BE COPIED, SHOWN OR HANDED TO A THIRD PARTY OR OTHERWISE USED, AND IT IS TO BE RETURNED PROMPTLY UPON REQUEST TO ELECTROLUX WHICH IS RESPONSIBLE FOR THE DRAWING.

CRITICAL DIMENSIONS WHICH MUST BE UNDER CAPABILITY

SAFETY RISKS

DRAFT ANGLES (NOT SHOWN): 0°/0000°

THEORETICAL FLAT AREA

DEVELOPED FLAT AREA

GENERAL TOLERANCES

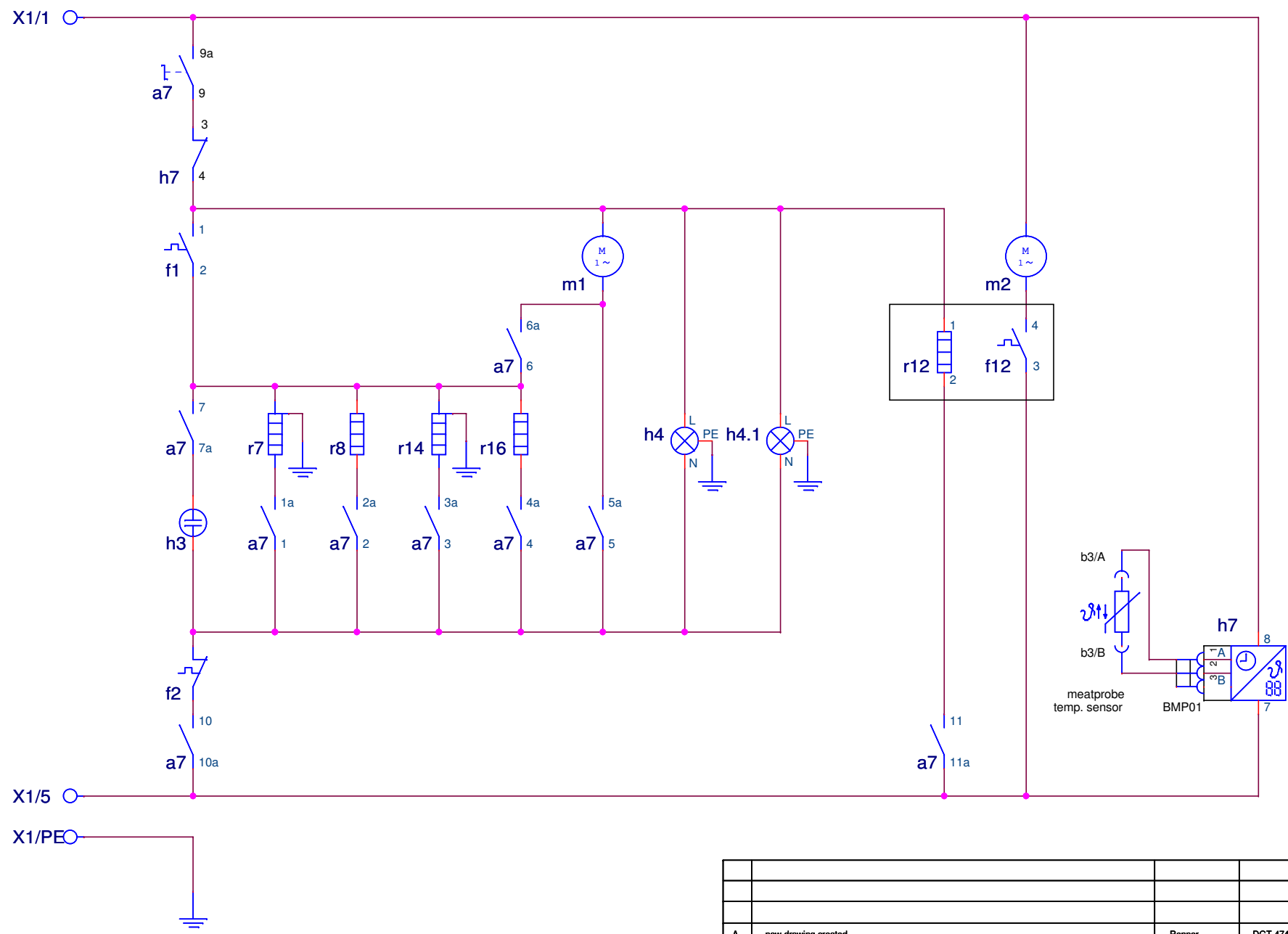
ANGLES : ±°

LENGTHS AND DIAMETERS:

18-50 mm. : ±°

>50 mm. : ±°

A4



DESIGN		OWNER		DRN		CHD		DATE		DESIGN		USERS		EUROPEAN METHOD	
DGT		PD_HEO		Renner		Renner		2007-02-09		-		-			
<b>Electrolux</b>										<b>Titel</b> circuit diagram oven <b>Titel</b> Schaltplan Herd <b>NUMBER</b> 387 4772 <b>SHEET</b> 01 (01) <b>REV</b> A					
<b>A</b> new drawing created Renner DGT 47496 2007-02-09										SIGNATURE		REQUEST		DATE	