

THE ITEM(S) SHOWN IN THIS DRAWING MUST NOT CONTAIN FORMALDEHYDE, CADMIUM, MERCURY, ASBESTOS OR PBB/PBBO.

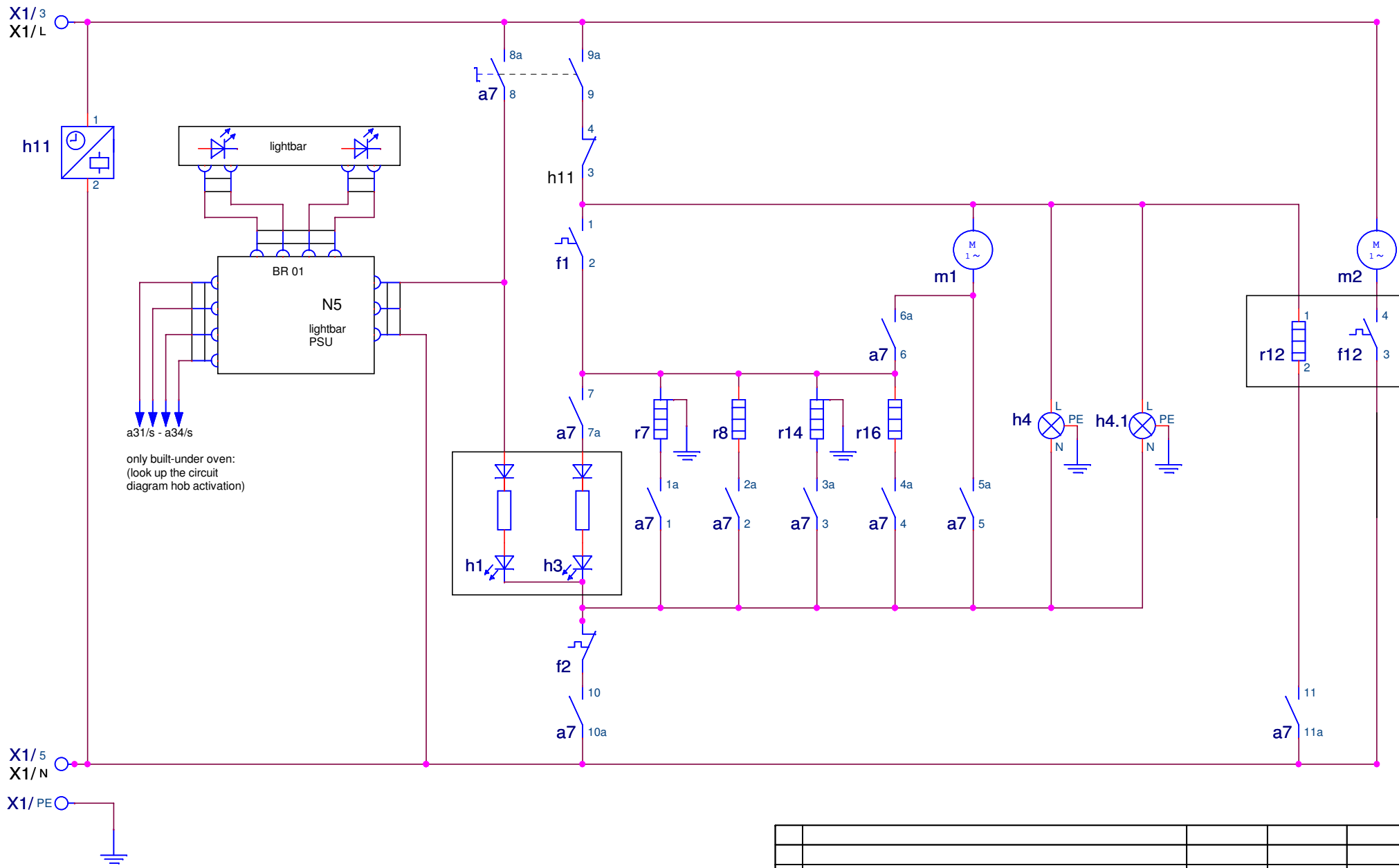
THIS DRAWING CONTAINS CONFIDENTIAL INFORMATION. IT'S PROPERTY OF ELECTROLUX WITHOUT WHOSE PERMISSION IT MAY NOT BE COPIED, SHOWN OR HANDED TO A THIRD PARTY OR OTHERWISE USED, AND IT IS TO BE RETURNED PROMPTLY UPON REQUEST TO ELECTROLUX WHICH IS RESPONSIBLE FOR THE DRAWING.

CRITICAL DIMENSIONS WHICH MUST BE UNDER CAPABILITY [2] MUST BE UNDER CAPABILITY. SAFETY RISKS. DRAFT ANGLES (NOT SHOWN): 0°/000°

THEORETICAL FLAT AREA. DEVELOPED FLAT AREA.

GENERAL TOLERANCES. ANGLES. LENGTHS AND DIAMETERS.

A4



DESIGN		OWNER		DRN		CHD		DATE		DESIGN		USERS		EUROPEAN METHOD			
DGT		PD_HEO		Renner		Renner		2006-12-12		-		-					
<b>Electrolux</b>										TITLE circuit diagram oven TITEL Schaltplan Herd NUMBER 387 4524 SHEET 01 (01) REV A							
A new drawing created Renner DGT 46693 2006-12-12												SIGNATURE		REQUEST		DATE	