

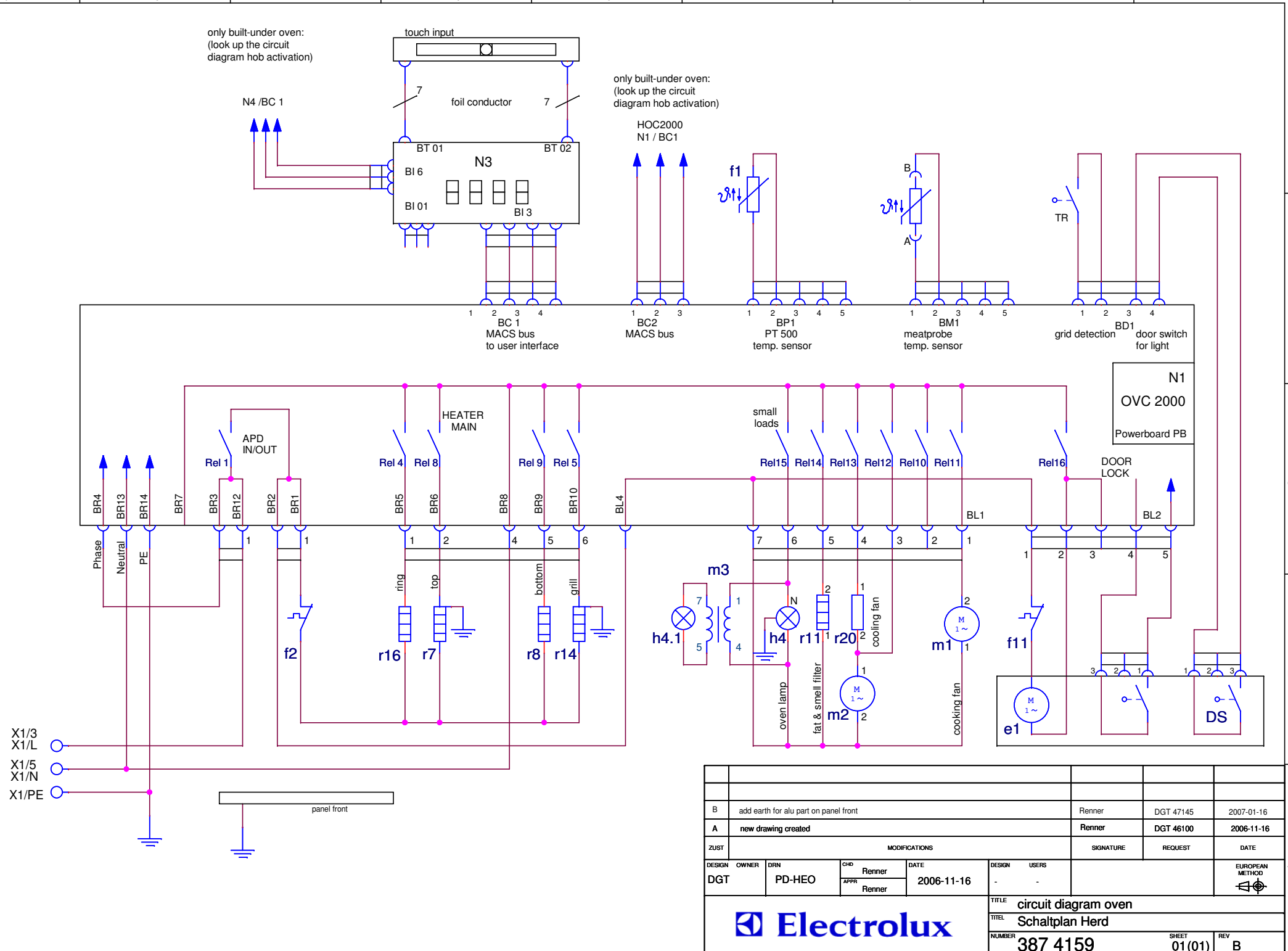
THE ITEM(S) SHOWN IN THIS DRAWING MUST NOT CONTAIN FORMALDEHYDE, CADMIUM, MERCURY, ASBESTOS OR PBB/PBDO.

THIS DRAWING CONTAINS CONFIDENTIAL INFORMATION. IT'S PROPERTY OF ELECTROLUX WITHOUT WHOSE PERMISSION IT MAY NOT BE COPIED, SHOWN OR HANDED TO A THIRD PARTY OR OTHERWISE USED, AND IT IS TO BE RETURNED PROMPTLY UPON REQUEST TO ELECTROLUX WHICH IS RESPONSIBLE FOR THE DRAWING.

CRITICAL DIMENSIONS WHICH MUST BE UNDER CAPABILITY [2] SAFETY RISKS
 DRAFT ANGLES (NOT SHOWN): 00°/000°

THEORETICAL FLAT AREA DEVELOPED FLAT AREA

GENERAL TOLERANCES
 ANGLES : ±°
 LENGTHS AND DIAMETERS:
 18-80 mm : ±°
 >80 mm : ±°
 A4



DESIGN		OWNER		DRN		CHD		DATE		DESIGN		USERS		EUROPEAN METHOD	
DGT		PD-HEO		Renner		Renner		2006-11-16							
Electrolux										circuit diagram oven Schaltplan Herd					
387 4159										SHEET 01(01)		REV B			

B	add earth for alu part on panel front	Renner	DGT 47145	2007-01-16	
A	new drawing created	Renner	DGT 46100	2006-11-16	
ZUST	MODIFICATIONS		SIGNATURE	REQUEST	DATE