

THE ITEM(S) SHOWN IN THIS DRAWING MUST NOT CONTAIN FORMALDEHYDE, CADMIUM, MERCURY, ASBESTOS OR PBB/PBDO.

THIS DRAWING CONTAINS CONFIDENTIAL INFORMATION. ITS PROPERTY OF ELECTROLUX WITHOUT WHOSE PERMISSION IT MAY NOT BE COPIED, SHOWN OR HANDED TO A THIRD PARTY OR OTHERWISE USED, AND IT IS TO BE RETURNED PROMPTLY UPON REQUEST TO ELECTROLUX WHICH IS RESPONSIBLE FOR THE DRAWING.

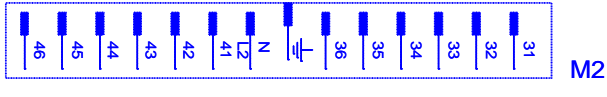
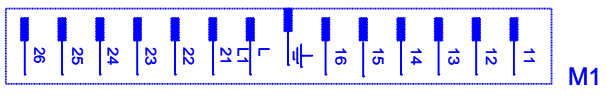
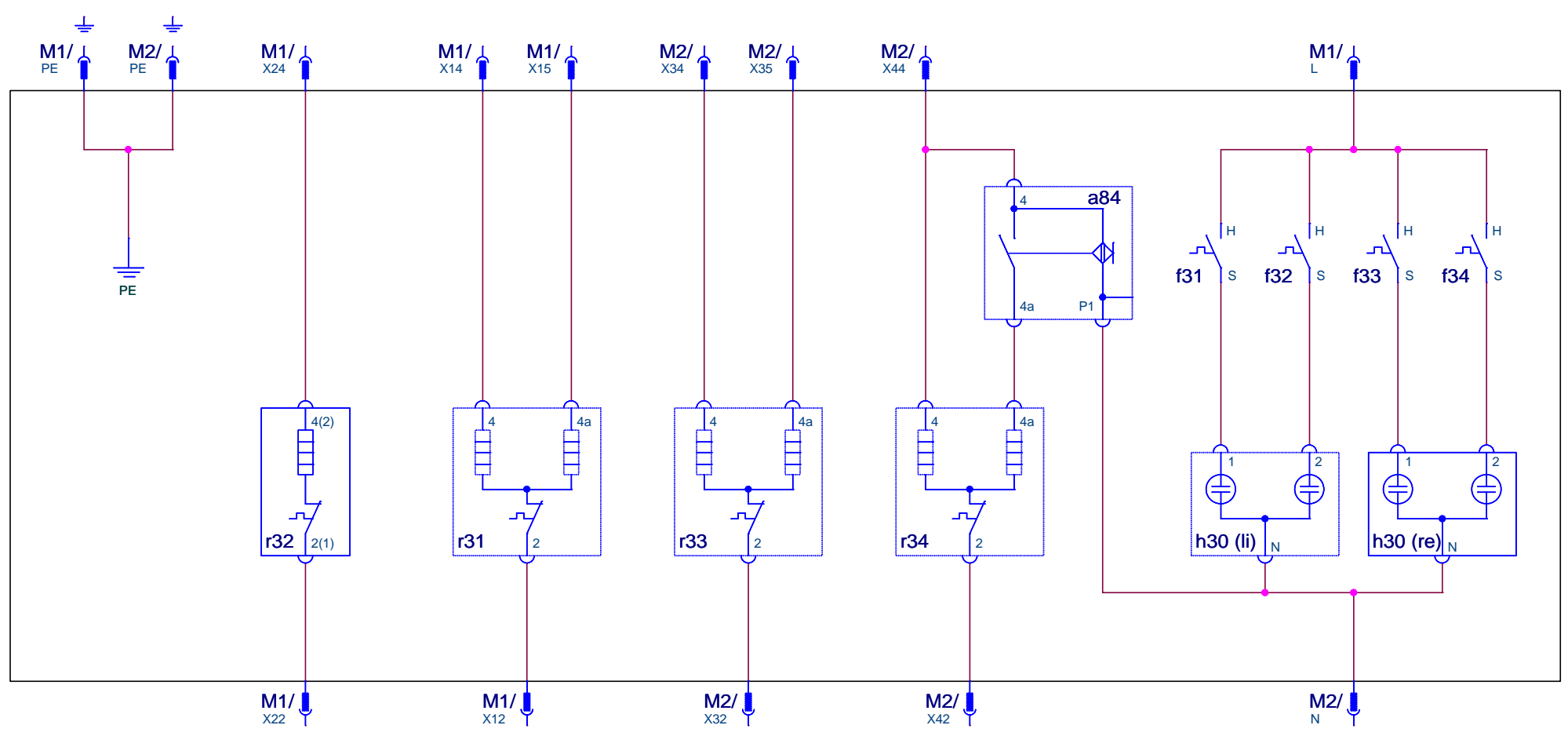
CRITICAL DIMENSIONS WHICH MUST BE UNDER CAPABILITY

SAFETY RISKS : VISIBLE SURFACES : DRAFT ANGLES (NOT SHOWN): 0°0'00"

THEORETICAL FLAT AREA
DEVELOPED FLAT AREA

GENERAL TOLERANCES
ANGLES : ±°
LENGTHS AND DIAMETERS : ±mm
18 - 80 mm : ±0.10 mm
> 80 mm : ±0.15 mm

A4



| | | | | | | | | | |
|--------|--|---------------------|------|------|------------|---------------------|-------|-----------------|------------|
| DESIGN | | OWNER | DRN | CHD | DATE | DESIGN | USERS | EUROPEAN METHOD | |
| DGT | | DGR-PE_PD | APPR | Weiß | 2006-10-11 | - | - | | |
| ZUST | | MODIFICATIONS | | | | SIGNATURE | | REQUEST | DATE |
| A | | new drawing created | | | | Weiß | | DGT 45246 | 2006-10-11 |
| TITLE | | | | | | circuit diagram hob | | | |
| TITEL | | | | | | Schaltplan Mulde | | | |
| NUMBER | | | | | | 387 4156 | | SHEET | REV |
| | | | | | | 01(01) | | 1 | A |

