

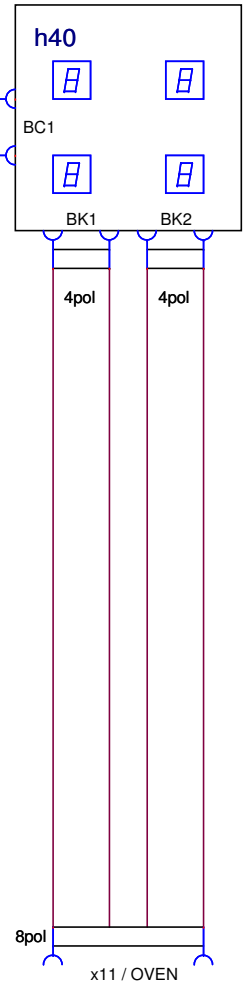
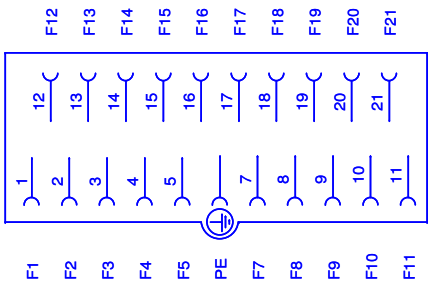
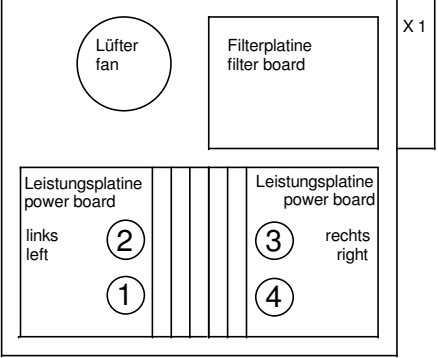
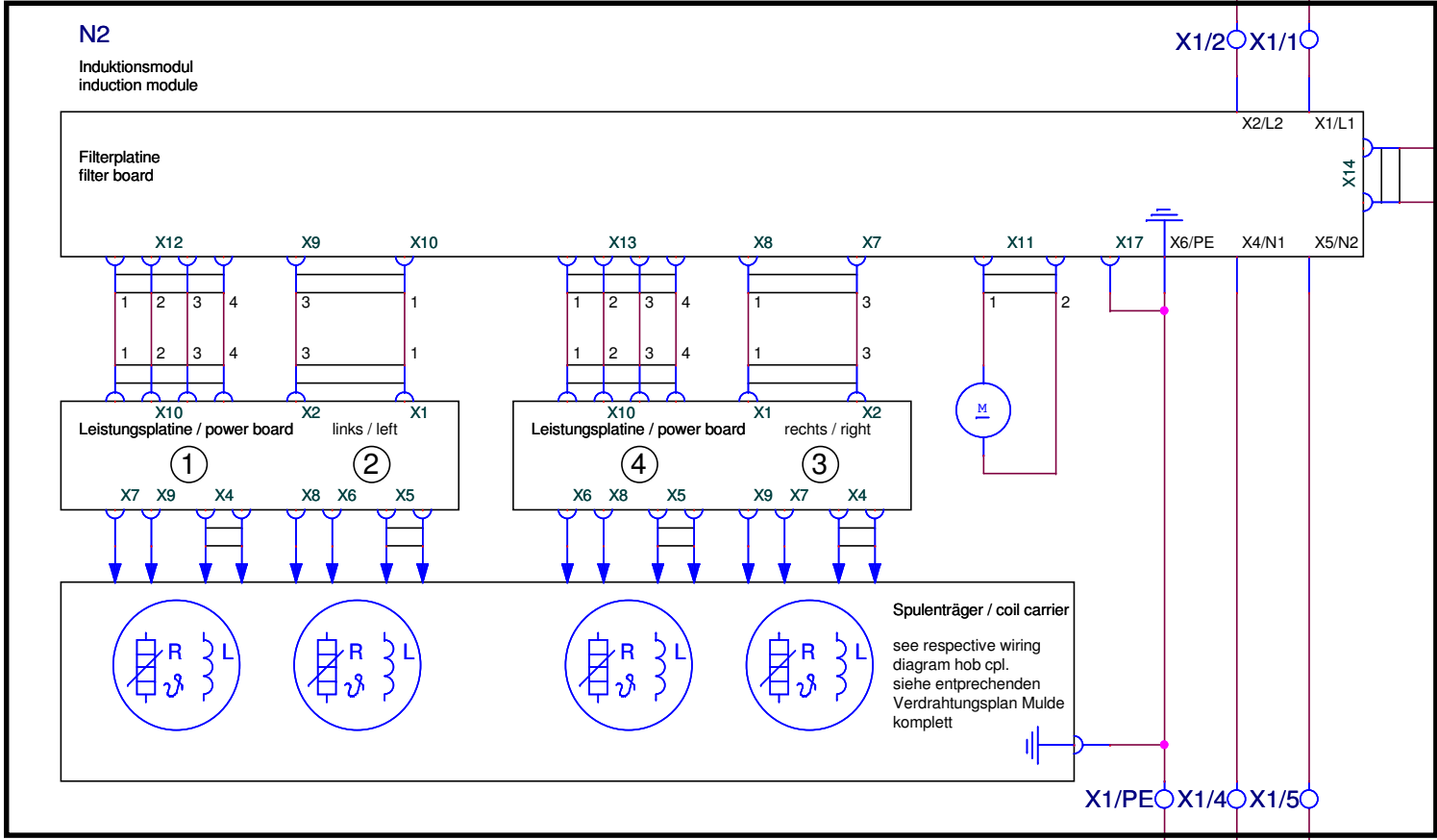
THE ITEM(S) SHOWN IN THIS DRAWING MUST NOT CONTAIN: FORMALDEHYDE, CADMIUM, MERCURY, ASBESTOS OR PBB/PBBO.

THIS DRAWING CONTAINS CONFIDENTIAL INFORMATION. IT'S PROPERTY OF ELECTROLUX WITHOUT WHOSE PERMISSION IT MAY NOT BE COPIED, SHOWN OR HANDED TO A THIRD PARTY OR OTHERWISE USED, AND IT IS TO BE RETURNED PROMPTLY UPON REQUEST TO ELECTROLUX WHICH IS RESPONSIBLE FOR THE DRAWING.

CRITICAL DIMENSIONS WHICH MUST BE UNDER CAPABILITY [2] SAFETY RISKS DRAFT ANGLES (NOT SHOWN): 00°/0000°

THEORETICAL FLAT AREA DEVELOPED FLAT AREA

GENERAL TOLERANCES ANGLES LENGTHS AND DIAMETERS



DESIGN		OWNER		DRN	CHD	WeiB	DATE	DESIGN	USERS	EUROPEAN METHOD			
DGT		DGR-PE_PD			APPR	WeiB	2006-09-19	-	-				
TITLE								circuit diagram induction G4					
TITEL								Schaltplan Induktion G4					
NUMBER								387 4062		SHEET	01 (01)	REV	B

B	additional PE at F5	WeiB	DGT46528	2006-12-06	
A	first edition	WeiB	DGT44686	2006-09-19	
ZUST	MODIFICATIONS		SIGNATURE	REQUEST	DATE