

THE ITEM(S) SHOWN IN THIS DRAWING MUST NOT CONTAIN FORMALDEHYDE, CADMIUM, MERCURY, ASBESTOS OR PBB/PBDO.

THIS DRAWING CONTAINS CONFIDENTIAL INFORMATIONS. IT'S PROPERTY OF ELECTROLUX WITHOUT WHOSE PERMISSION IT MAY NOT BE COPIED, SHOWN OR HANDED TO A THIRD PARTY OR OTHERWISE USED, AND IT IS TO BE RETURNED PROMPTLY UPON REQUEST TO ELECTROLUX WHICH IS RESPONSIBLE FOR THE DRAWING.

[2] CRITICAL DIMENSIONS WHICH MUST BE UNDER CAPABILITY

SAFETY RISKS

--- : VISIBLE SURFACES
DRAFT ANGLES (NOT SHOWN): 00°00'00"

THEORETICAL FLAT AREA

DEVELOPED FLAT AREA

GENERAL TOLERANCES

ANGLES : ±

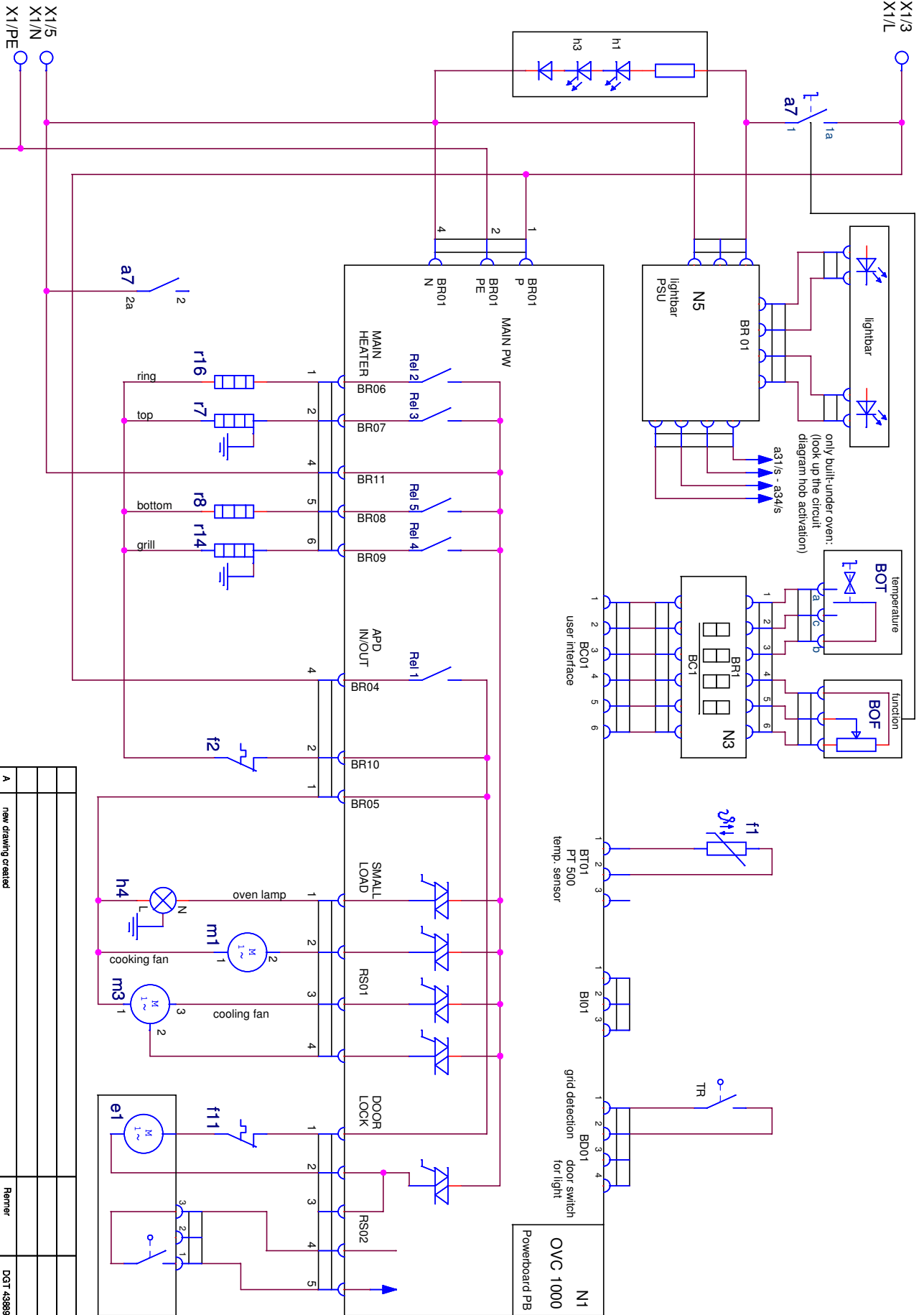
LENGTHS AND DIAMETERS:

<18 mm. : ±

18 - 80 mm. : ±

>80 mm. : ±

A4



DESIGN	OWNER	DRN	DATE	DESIGN	USERS
DGT	new drawing created	PD_HEO	2006-08-18		
ZUST					
MODIFICATIONS					
DESIGN	OWNER	DRN	DATE	DESIGN	USERS
DGT	new drawing created	PD_HEO	2006-08-18		
ZUST					
SIGNATURE					
			REQUEST		
			DATE		
			ELECTROLUX		
			MILANO		

Electrolux

TITLE	NUMBER	SHEET	REV
circuit diagram oven	387 3934	01 (01)	A
TITLE	NUMBER	SHEET	REV
Schaltplan Herd	387 3934	01 (01)	A