

THE ITEM(S) SHOWN IN THIS DRAWING MUST NOT CONTAIN FORMALDEHYDE, CADMIUM, MERCURY, ASBESTOS OR PBB/PBDO.

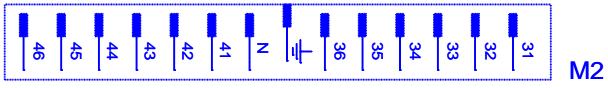
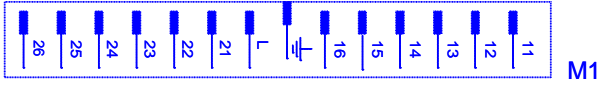
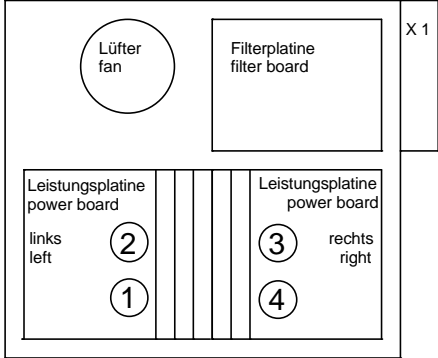
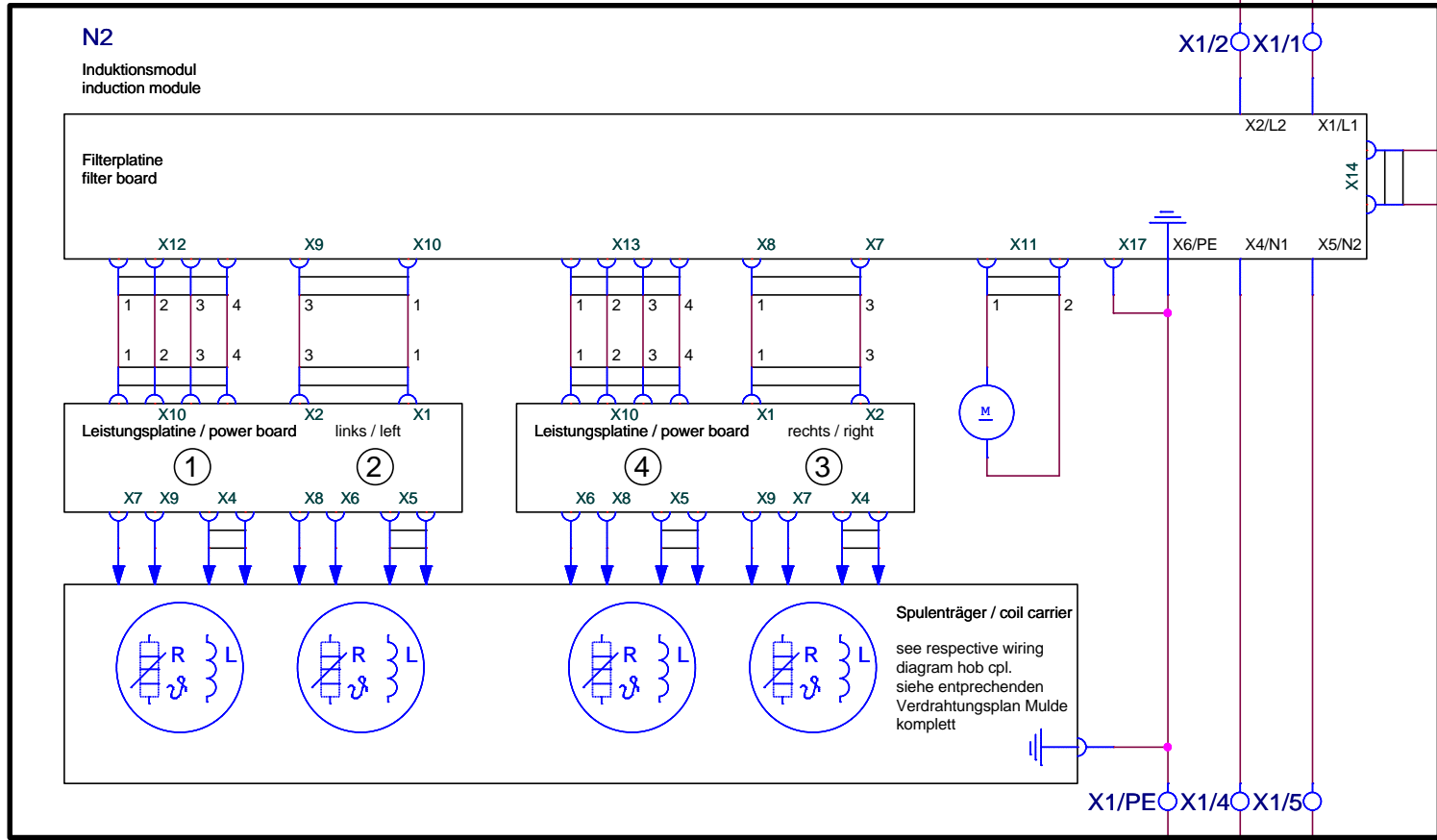
THIS DRAWING CONTAINS CONFIDENTIAL INFORMATION. ITS PROPERTY OF ELECTROLUX WITHOUT WHOSE PERMISSION IT MAY NOT BE COPIED, SHOWN OR HANDED TO A THIRD PARTY OR OTHERWISE USED, AND IT IS TO BE RETURNED PROMPTLY UPON REQUEST TO ELECTROLUX WHICH IS RESPONSIBLE FOR THE DRAWING.

CRITICAL DIMENSIONS WHICH MUST BE UNDER CAPABILITY

SAFETY RISKS : VISIBLE SURFACES DRAFT ANGLES (NOT SHOWN): 0°/0000°

THEORETICAL FLAT AREA DEVELOPED FLAT AREA

GENERAL TOLERANCES ANGLES : ±° LENGTHS AND DIAMETERS : ± mm 18-80 mm : ± mm >80 mm : ±0.1 mm



DESIGN		OWNER		DRN	CHD	DATE	DESIGN	USERS	EUROPEAN METHOD	
DGT		DGR-PE_PD			Weiß	2006-07-25	-	-		
ZUST		MODIFICATIONS		SIGNATURE		REQUEST		DATE		
A		first edition		Weiß		DGT44591		2006-09-14		
Electrolux										
Titel: circuit diagram induction G4 TITEL: Schaltplan Induktion G4 NUMBER: 387 3767										
									SHEET	REV
									01(01)	A