

THE ITEM(S) SHOWN IN THIS DRAWING MUST NOT CONTAIN FORMALDEHYDE, CADMIUM, MERCURY, ASBESTOS OR PBB/PBDO.

THIS DRAWING CONTAINS CONFIDENTIAL INFORMATION. IT'S PROPERTY OF ELECTROLUX WITHOUT WHOSE PERMISSION IT MAY NOT BE COPIED, SHOWN OR HANDED TO A THIRD PARTY OR OTHERWISE USED, AND IT IS TO BE RETURNED PROMPTLY UPON REQUEST TO ELECTROLUX WHICH IS RESPONSIBLE FOR THE DRAWING.

CRITICAL DIMENSIONS WHICH MUST BE UNDER CAPABILITY

SAFETY RISKS

VISIBLE SURFACES : 00°00'00"

DRAFT ANGLES (NOT SHOWN): 00°00'00"

THEORETICAL FLAT AREA

DEVELOPED FLAT AREA

GENERAL TOLERANCES

ANGLES : ±°

LENGTHS AND DIAMETERS

18 - 80 mm : ±0.10

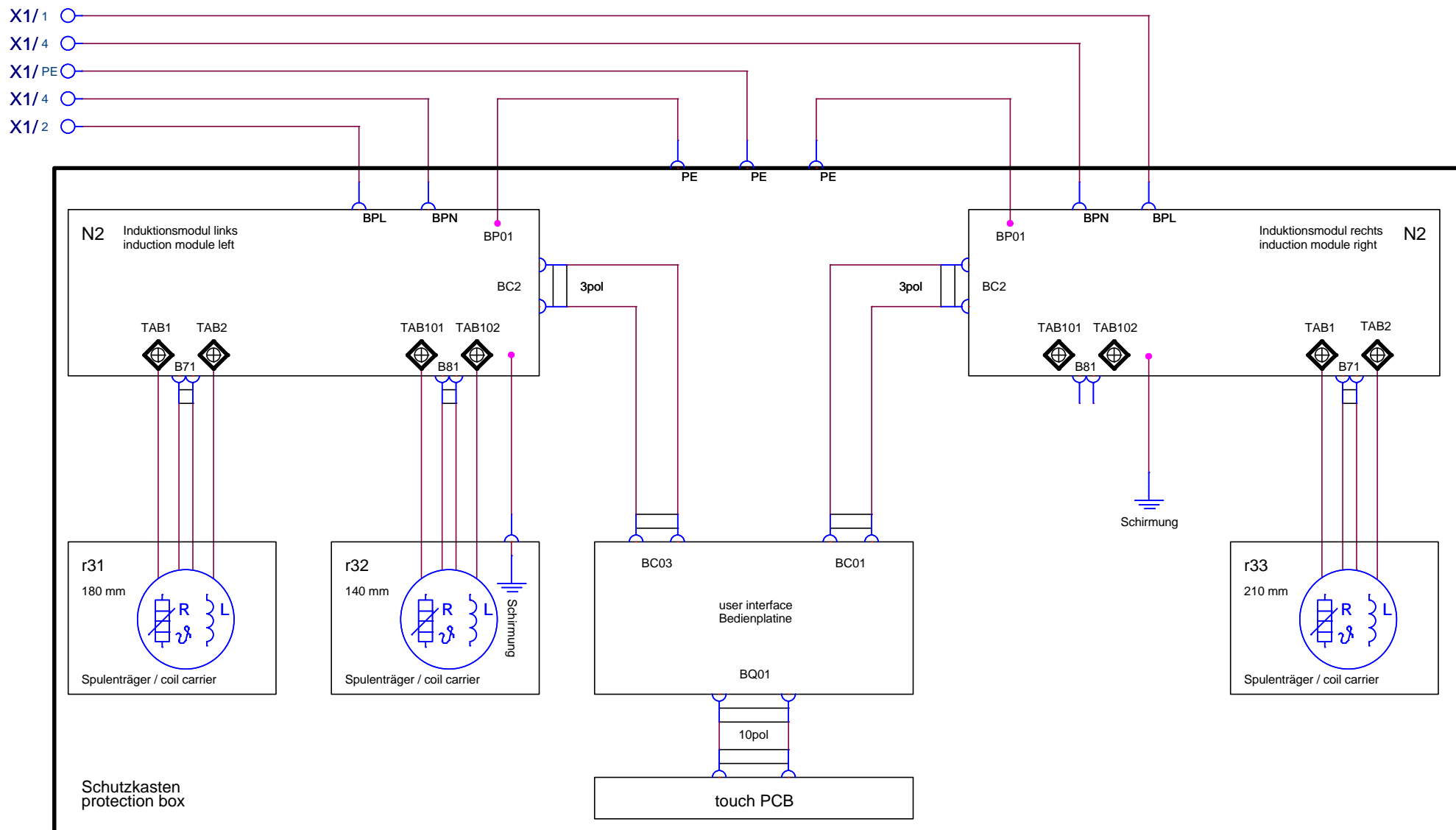
80 - 160 mm : ±0.15

160 - 400 mm : ±0.20

400 - 800 mm : ±0.30

800 mm - : ±0.50

A4



DESIGN		OWNER		DRN	CHD	DATE	DESIGN	USERS	EUROPEAN METHOD		
DGT		DGR-PE_PD		Wei	Wei	2006-05-23					
A first edition							Wei	DGT40666	2006-06-07		
ZUST							MODIFICATIONS		SIGNATURE	REQUEST	DATE
TITLE							circuit diagram induction TAP2				
TITEL							Schaltplan Induktion TAP2				
NUMBER							387 3484		SHEET	REV	
							01(01)		A		