

THE ITEM(S) SHOWN IN THIS DRAWING MUST NOT CONTAIN FORMALDEHYDE, CADMIUM, MERCURY, ASBESTOS OR PBB/PBDO.

THIS DRAWING CONTAINS CONFIDENTIAL INFORMATIONS. IT'S PROPERTY OF ELECTROLUX WITHOUT WHOSE PERMISSION IT MAY NOT BE COPIED, SHOWN OR HANDED TO A THIRD PARTY OR OTHERWISE USED, AND IT IS TO BE RETURNED PROMPTLY UPON REQUEST TO ELECTROLUX WHICH IS RESPONSIBLE FOR THE DRAWING.

[2] CRITICAL DIMENSIONS WHICH MUST BE UNDER CAPABILITY

SAFETY RISKS

--- : VISIBLE SURFACES
DRAFT ANGLES (NOT SHOWN): 00°00'00"

THEORETICAL FLAT AREA

DEVELOPED FLAT AREA

GENERAL TOLERANCES

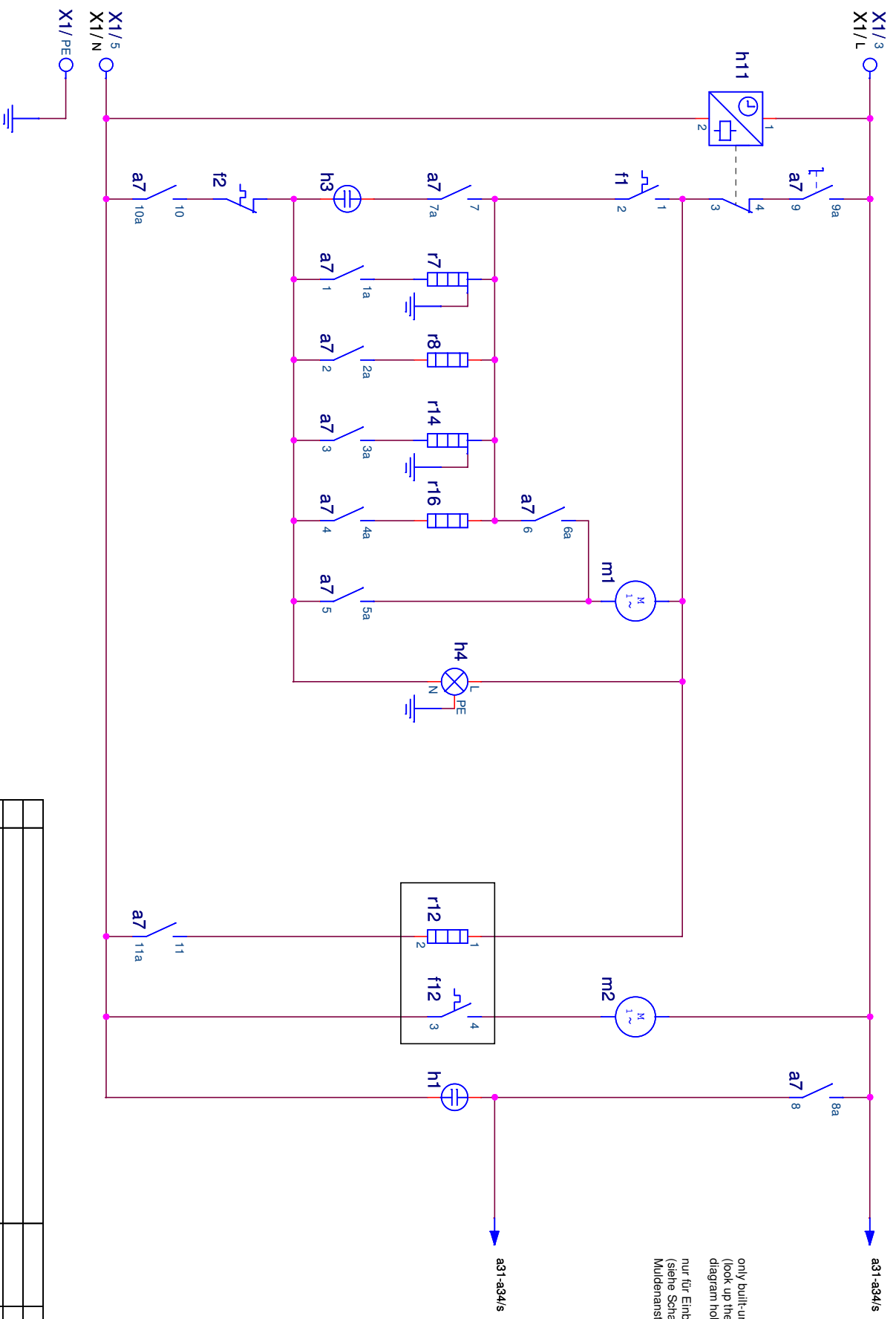
ANGLES : ±

LENGTHS AND DIAMETERS:

<18 mm. : ±

18 - 80 mm. : ±

>80 mm. : ±



DESIGN		OWNER		DRN		DGT	
A		new drawing created		PD_HEO		Renner	
ZUST		06-04-25		Renner		Renner	
MODIFICATIONS		DATE		SIGNATURE		REQUEST	
DESIGN		USERS		DATE		DATE	
TITLE		Schaltplan Herd		REQUISIT		DATE	
NUMBERS		387 3119		SHEET		REV	
01 (01)		A		EUROPEAN		MILITARY	
Electrolux		Renner		DGT 38948		06-04-25	

DESIGN		OWNER		DRN		DGT	
A		new drawing created		PD_HEO		Renner	
ZUST		06-04-25		Renner		Renner	
MODIFICATIONS		DATE		SIGNATURE		REQUEST	
DESIGN		USERS		DATE		DATE	
TITLE		Schaltplan Herd		REQUISIT		DATE	
NUMBERS		387 3119		SHEET		REV	
01 (01)		A		EUROPEAN		MILITARY	
Electrolux		Renner		DGT 38948		06-04-25	