

THE ITEM(S) SHOWN IN THIS DRAWING MUST NOT CONTAIN FORMALDEHYDE, CADMIUM, MERCURY, ASBESTOS OR PBB/PBD.

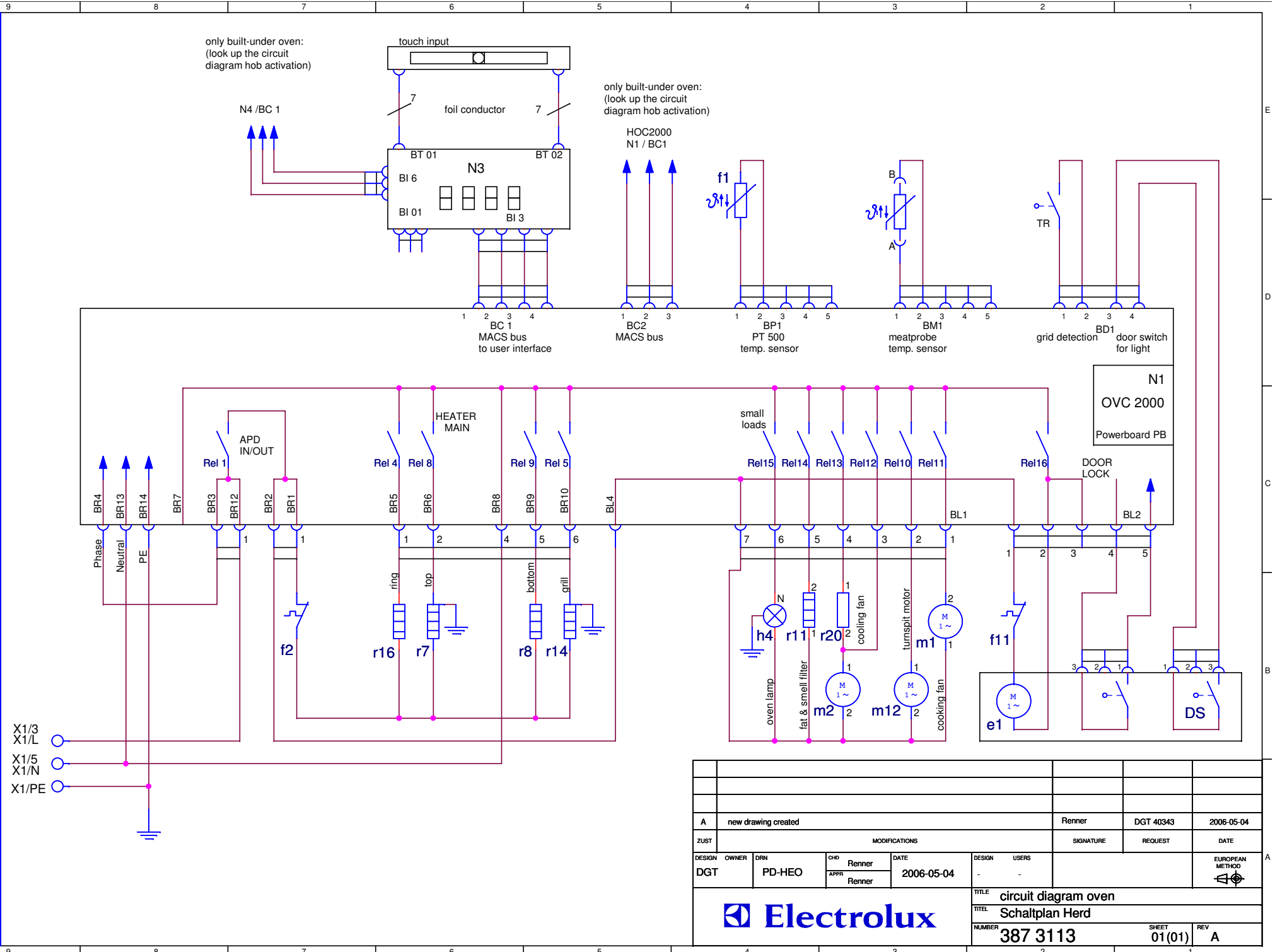
THIS DRAWING CONTAINS CONFIDENTIAL INFORMATION. IT'S PROPERTY OF ELECTROLUX. WITHOUT WHOSE PERMISSION IT MAY NOT BE COPIED, SHOWN OR HANDED TO A THIRD PARTY OR OTHERWISE USED, AND IT IS TO BE RETURNED PROMPTLY UPON REQUEST TO ELECTROLUX WHICH IS RESPONSIBLE FOR THE DRAWING.

CRITICAL DIMENSIONS WHICH MUST BE UNDER CAPABILITY [2] SAFETY RISKS DRAFT ANGLES (NOT SHOWN): 00° 00' 00"

THEORETICAL FLAT AREA DEVELOPED FLAT AREA

GENERAL TOLERANCES ANGLES : ±° LENGTHS AND DIAMETERS : ±0.1 mm : ±0.2 mm : ±0.5 mm

A4



| | | | | | | | | | | | | | |
|----------------------|--|---------------------|--|-----------|--|-----------|--|------------|--|-----------------|--|-------|--|
| DESIGN | | OWNER | | DRN | | GND | | DATE | | DESIGN | | USERS | |
| DGT | | PD-HEO | | Renner | | Renner | | 2006-05-04 | | - | | - | |
| ZUST | | MODIFICATIONS | | SIGNATURE | | REQUEST | | DATE | | - | | - | |
| A | | new drawing created | | Renner | | DGT 40343 | | 2006-05-04 | | - | | - | |
| TITLE | | | | | | | | | | EUROPEAN METRIC | | | |
| circuit diagram oven | | | | | | | | | | Schaltplan Herd | | | |
| NUMBER | | | | | | | | | | SHEET | | REV | |
| 387 3113 | | | | | | | | | | 01(01) | | A | |

