

THE ITEM(S) SHOWN IN THIS DRAWING MUST NOT CONTAIN FORMALDEHYDE, CADMIUM, MERCURY, ASBESTOS OR PBB/PBDO.

THIS DRAWING CONTAINS CONFIDENTIAL INFORMATIONS. IT'S PROPERTY OF ELECTROLUX WITHOUT WHOSE PERMISSION IT MAY NOT BE COPIED, SHOWN OR HANDED TO A THIRD PARTY OR OTHERWISE USED, AND IT IS TO BE RETURNED PROMPTLY UPON REQUEST TO ELECTROLUX WHICH IS RESPONSIBLE FOR THE DRAWING.

[2] CRITICAL DIMENSIONS WHICH MUST BE UNDER CAPABILITY

**SAFETY RISKS**

--- : VISIBLE SURFACES  
DRAFT ANGLES (NOT SHOWN): 00°00'00"

THEORETICAL FLAT AREA

DEVELOPED FLAT AREA

GENERAL TOLERANCES

ANGLES : ±

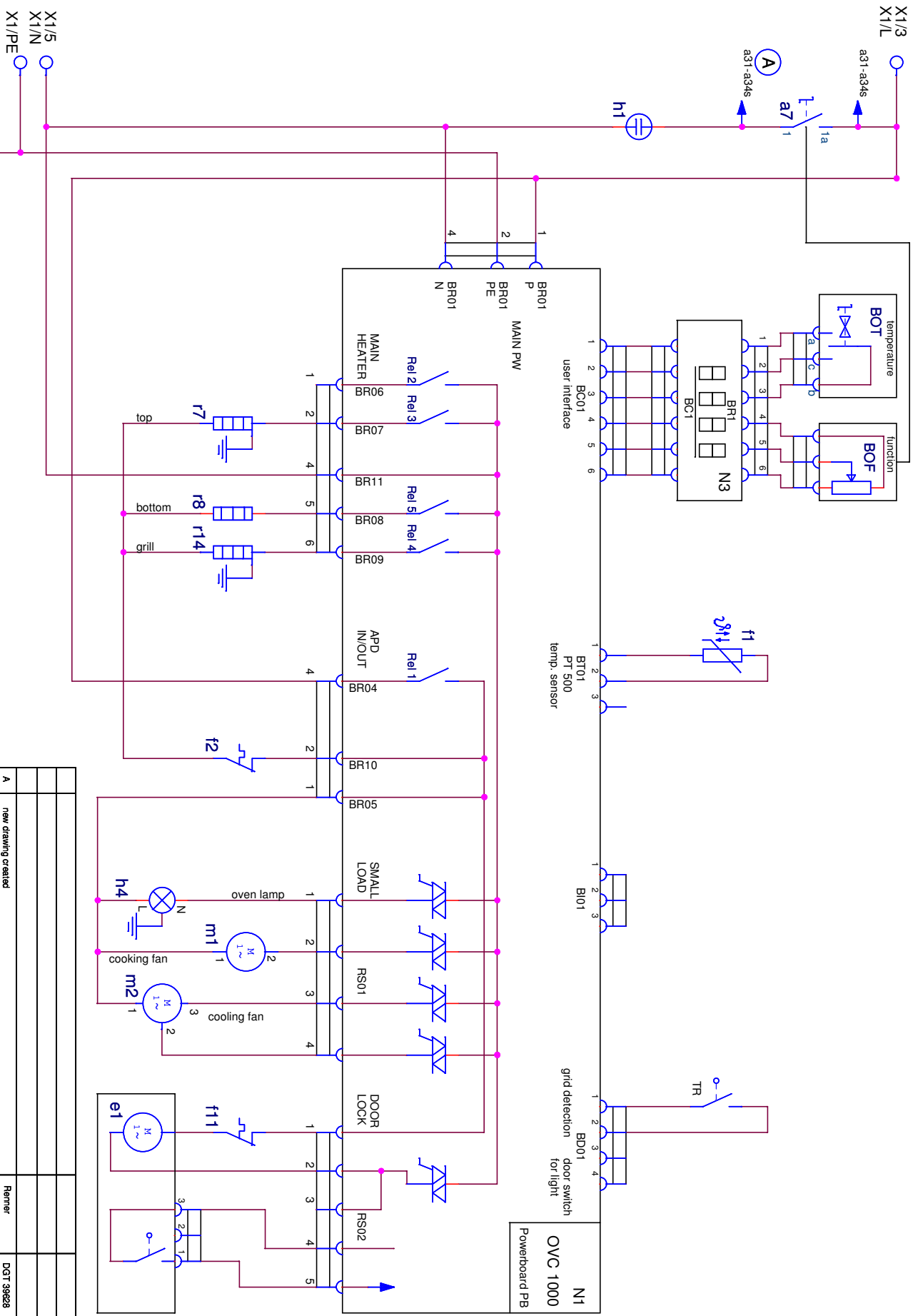
LENGTHS AND DIAMETERS:

<18 mm. : ±

18 - 80 mm. : ±

>80 mm. : ±

A4



**A** Anmerkung / Note

Nur bei Einbaubehälter  
Siehe Schaltplan der  
Muldensteuerung.

only built under ovens!  
look up the circuit  
diagram hob activation.

DESIGN		OWNER		DGN		CHD		DATE		DESIGN		DATE	
A		new drawing created		DGR-PE_PD		Renner		2006-06-08		USERS		2006-06-08	
ZUST						Renner				SIGNATURE		REQUEST	
DGT						Renner				SIGNATURE		REQUEST	
TITLE		circuit diagram oven		TITLE		Schaltplan Herd		NUMBER		387 3098		REV	
A				A				01 (01)		A			



EUROPEAN  
MATERIAL  
MARKING