

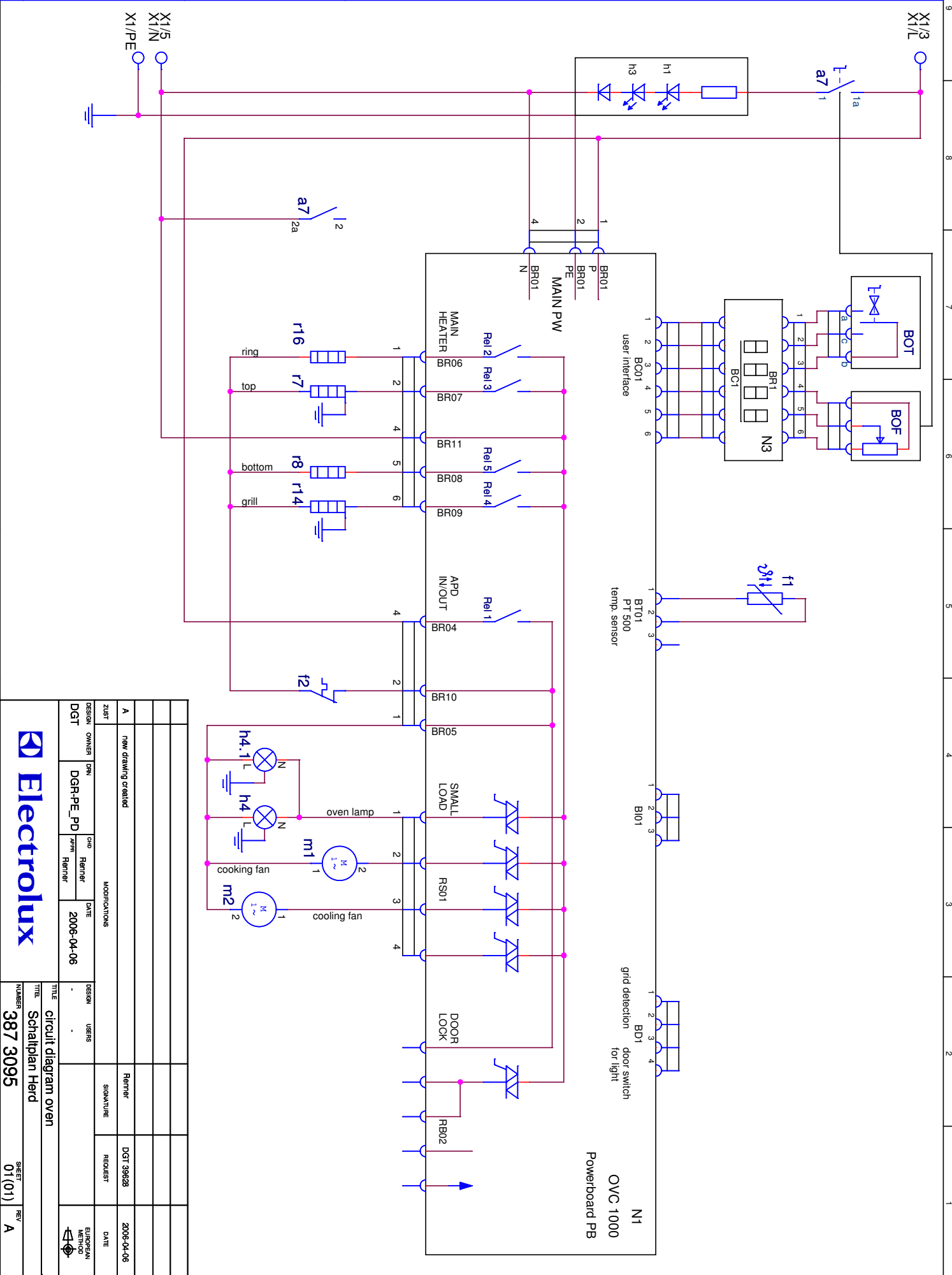
THE ITEM(S) SHOWN IN THIS DRAWING MUST NOT CONTAIN FORMALDEHYDE, CADMIUM, MERCURY, ASBESTOS OR PBB/PBDO.

THIS DRAWING CONTAINS CONFIDENTIAL INFORMATIONS. ITS PROPERTY OF ELECTROLUX WITHOUT WHOSE PERMISSION IT MAY NOT BE COPIED, SHOWN OR HANDED TO A THIRD PARTY OR OTHERWISE USED, AND IT IS TO BE RETURNED PROMPTLY UPON REQUEST TO ELECTROLUX WHICH IS RESPONSIBLE FOR THE DRAWING.

CRITICAL DIMENSIONS WHICH MUST BE UNDER CAPABILITY
SAFETY RISKS
 : VISIBLE SURFACES
 DRAFT ANGLES (NOT SHOWN): 00°00'00"

THEORETICAL FLAT AREA
 DEVELOPED FLAT AREA

GENERAL TOLERANCES
 ANGLES :
 LENGTHS AND DIAMETERS:
 <18 mm.
 18 - 80 mm.
 >80 mm.



DESIGN		OWNER		DATE		MODIFICATIONS	
DGT	DGR-PE_PD	Renner	Renner	2006-04-06			
DESIGN		OWNER		DATE		MODIFICATIONS	
A	new drawing created						
DESIGN		OWNER		DATE		MODIFICATIONS	
DGT	DGR-PE_PD	Renner	Renner	2006-04-06			
DESIGN		OWNER		DATE		MODIFICATIONS	
A	new drawing created						
DESIGN		OWNER		DATE		MODIFICATIONS	
DGT	DGR-PE_PD	Renner	Renner	2006-04-06			
DESIGN		OWNER		DATE		MODIFICATIONS	
A	new drawing created						



TITLE		DESIGN		DATE		MODIFICATIONS	
circuit diagram oven							
TITLE		OWNER		DATE		MODIFICATIONS	
Schaltpan Herd							
TITLE		OWNER		DATE		MODIFICATIONS	
387 3095							
TITLE		OWNER		DATE		MODIFICATIONS	
01(01)							
TITLE		OWNER		DATE		MODIFICATIONS	
A							