

THE ITEM(S) SHOWN IN THIS DRAWING MUST NOT CONTAIN FORMALDEHYDE, CADMIUM, MERCURY, ASBESTOS OR PBB/PBDO.

THIS DRAWING CONTAINS CONFIDENTIAL INFORMATIONS. IT'S PROPERTY OF ELECTROLUX WITHOUT WHOSE PERMISSION IT MAY NOT BE COPIED, SHOWN OR HANDED TO A THIRD PARTY OR OTHERWISE USED, AND IT IS TO BE RETURNED PROMPTLY UPON REQUEST TO ELECTROLUX WHICH IS RESPONSIBLE FOR THE DRAWING.

[2] CRITICAL DIMENSIONS WHICH MUST BE UNDER CAPABILITY

SAFETY RISKS

--- : VISIBLE SURFACES
DRAFT ANGLES (NOT SHOWN): 00°00'00"

THEORETICAL FLAT AREA

DEVELOPED FLAT AREA

GENERAL TOLERANCES

ANGLES : ±

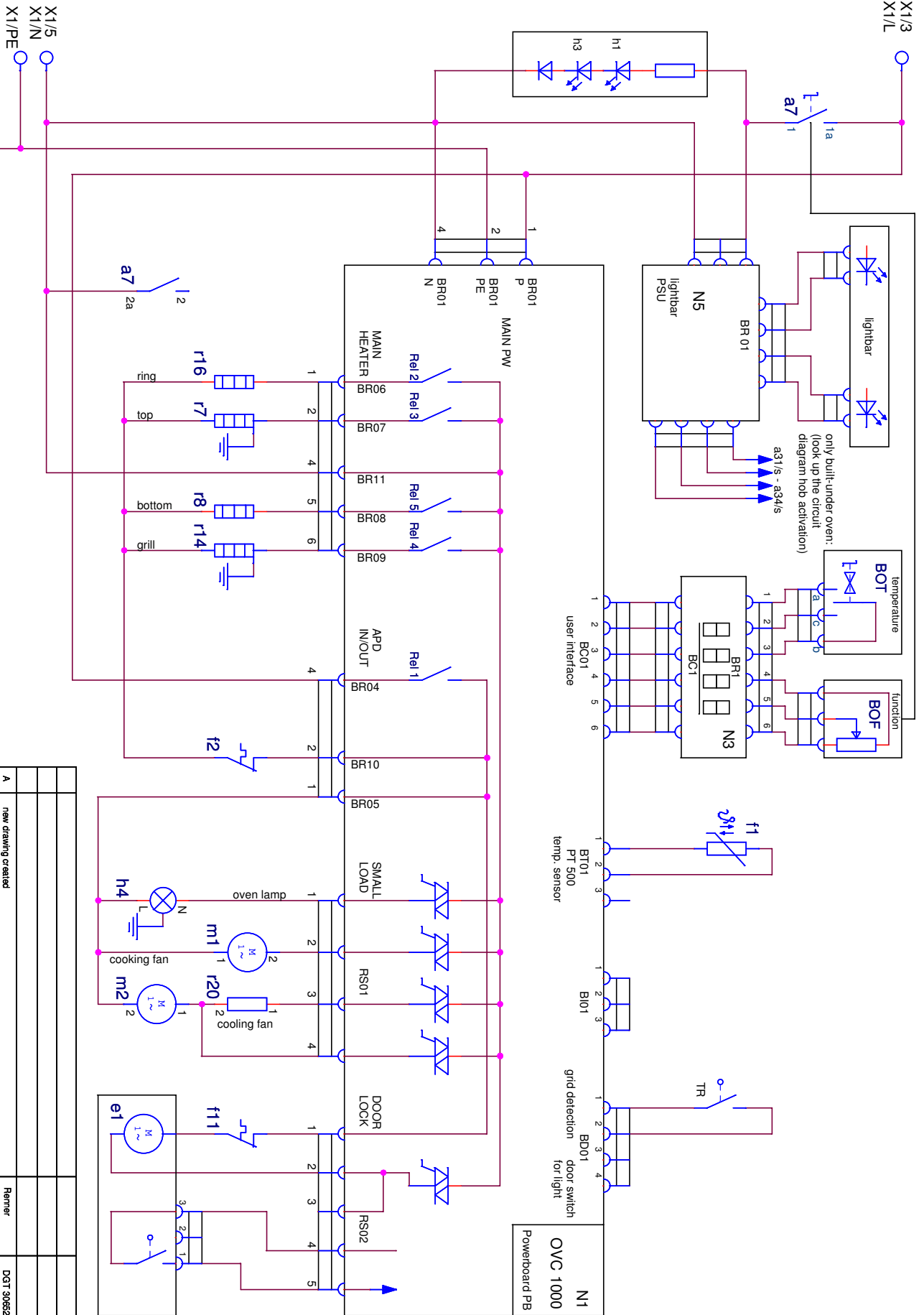
LENGTHS AND DIAMETERS:

<18 mm. : ±

18 - 80 mm. : ±

>80 mm. : ±

A4



DESIGN		OWNER		DGN		DATE		DESIGN		DATE	
A	ZUST	new drawing created		DGR-PE_PD	REN	2006-03-15		Renner		DGT 30652	2006-03-15
MODIFICATIONS		SIGNATURE		REQUEST		DATE		SIGNATURE		DATE	

Electrolux

TITLE		NUMBER		REV	
circuit diagram oven		387 3067		01 (01)	
Schaltplan Herd				A	