

THE ITEM(S) SHOWN IN THIS DRAWING MUST NOT CONTAIN FORMALDEHYDE, CADMIUM, MERCURY, ASBESTOS OR PBB/PBDO.

THIS DRAWING CONTAINS CONFIDENTIAL INFORMATIONS. IT'S PROPERTY OF ELECTROLUX WITHOUT WHOSE PERMISSION IT MAY NOT BE COPIED, SHOWN OR HANDED TO A THIRD PARTY OR OTHERWISE USED, AND IT IS TO BE RETURNED PROMPTLY UPON REQUEST TO ELECTROLUX WHICH IS RESPONSIBLE FOR THE DRAWING.

[2] CRITICAL DIMENSIONS WHICH MUST BE UNDER CAPABILITY

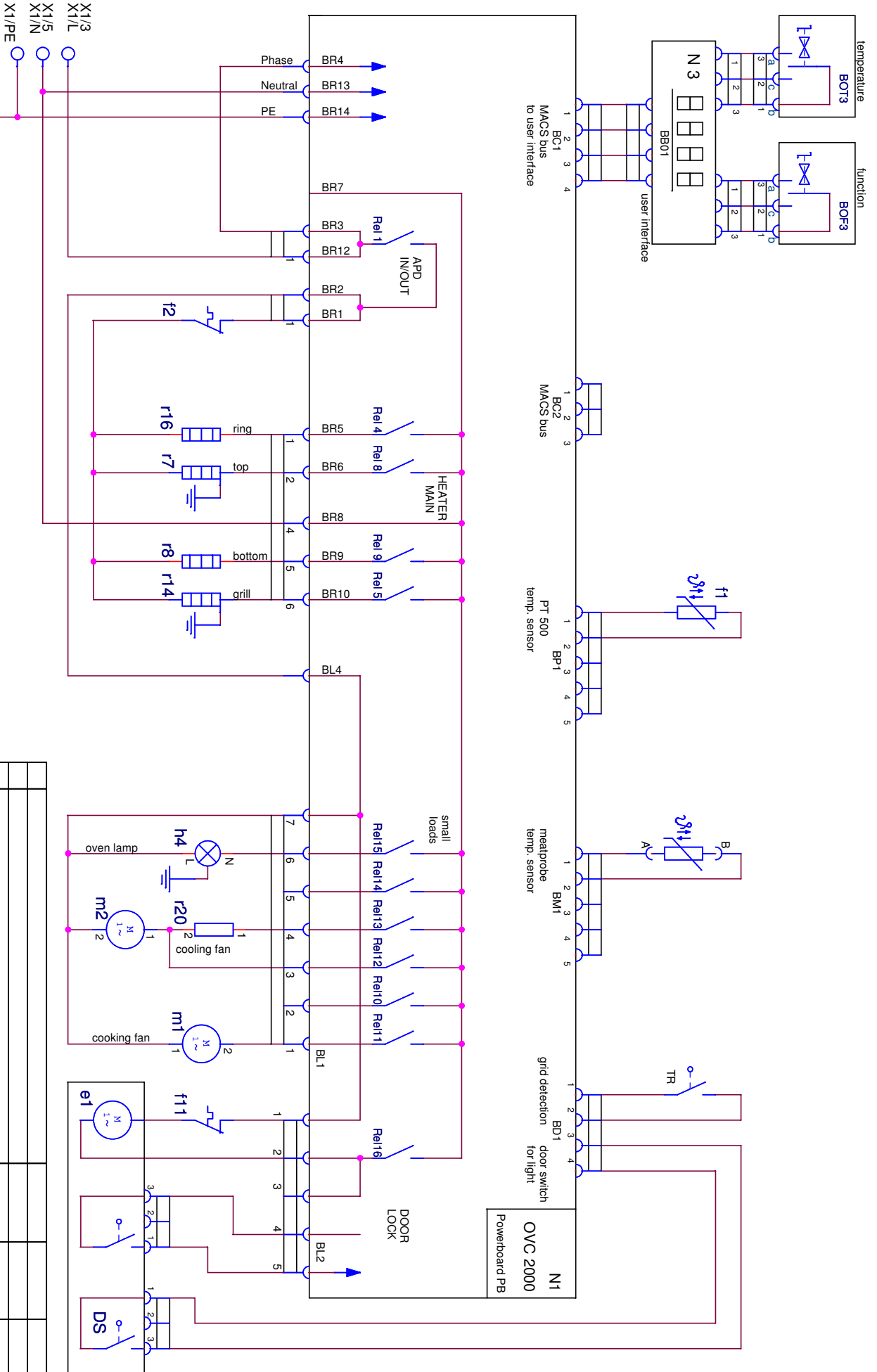
SAFETY RISKS

--- : VISIBLE SURFACES
DRAFT ANGLES (NOT SHOWN): 00°00'00"

THEORETICAL FLAT AREA
DEVELOPED FLAT AREA

GENERAL TOLERANCES
ANGLES : ±
LENGTHS AND DIAMETERS:
<18 mm. : ±
18 - 80 mm. : ±
>80 mm. : ±

A4



X1/3
X1/L
X1/5
X1/N
X1/PE

DESIGN	OWNER	DRN	DATE	DESIGN	USERS
DGT	PD_HEO	Renner	2006-07-07		
ZUST		Renner			
A	new drawing created			Renner	DGT 38828
MODIFICATIONS					2006-07-07
SIGNATURE					REQUEST
DATE					DATE
EUROPEAN					
MILITARY					
REVISION					

Electrolux

TITLE
Schaltplan Herd

NUMBERS
387 2992

SHEET
01 (01)

REV
A