

THE ITEM(S) SHOWN IN THIS DRAWING MUST NOT CONTAIN FORMALDEHYDE, CADMIUM, MERCURY, ASBESTOS OR PBB/PBDO.

THIS DRAWING CONTAINS CONFIDENTIAL INFORMATIONS. IT'S PROPERTY OF ELECTROLUX WITHOUT WHOSE PERMISSION IT MAY NOT BE COPIED, SHOWN OR HANDED TO A THIRD PARTY OR OTHERWISE USED, AND IT IS TO BE RETURNED PROMPTLY UPON REQUEST TO ELECTROLUX WHICH IS RESPONSIBLE FOR THE DRAWING.

[2] CRITICAL DIMENSIONS WHICH MUST BE UNDER CAPABILITY

**SAFETY RISKS**

--- : VISIBLE SURFACES  
DRAFT ANGLES (NOT SHOWN): 00°00'00"

THEORETICAL FLAT AREA

DEVELOPED FLAT AREA

GENERAL TOLERANCES

ANGLES : ±

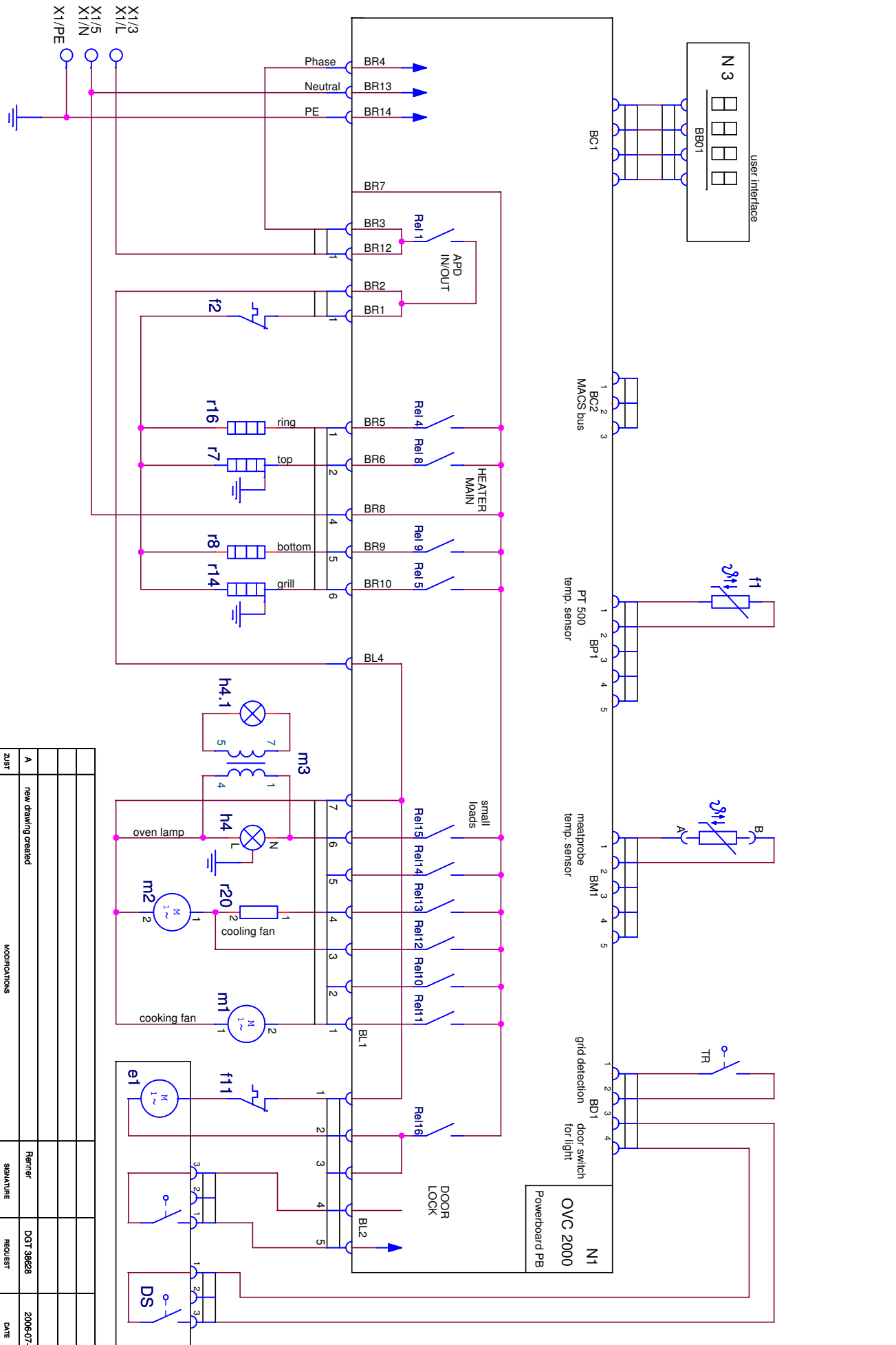
LENGTHS AND DIAMETERS:

<18 mm. : ±

18 - 80 mm. : ±

>80 mm. : ±

A4



X1/3  
X1/L  
X1/5  
X1/N  
X1/PE

DESIGN		OWNER		DGN		DGT	
A		new drawing created		DGN-PE_PD		DGT	
ZUST		DNI		DNI		DNI	
A		Remmer		Remmer		Remmer	
MODIFICATIONS		DATE		DATE		DATE	
2006-07-07		2006-07-07		2006-07-07		2006-07-07	
DESIGN		USERS		SIGNATURE		REQUEST	
-		-		-		-	
TITLE		TITLE		TITLE		TITLE	
Schaltplan Oven		Schaltplan Oven		Schaltplan Oven		Schaltplan Oven	
NUMBERS		NUMBERS		NUMBERS		NUMBERS	
387 2987		387 2987		387 2987		387 2987	
SHEET		SHEET		SHEET		SHEET	
01 (01)		01 (01)		01 (01)		01 (01)	
REV		REV		REV		REV	
A		A		A		A	

