

THE ITEMS SHOWN IN THIS DRAWING MUST NOT CONTAIN FORMALDEHYDE, CADMIUM, MERCURY, ASBESTOS OR PBB/PBD.

THIS DRAWING MUST NOT BE COPIED, SHOWN OR HANDED TO A THIRD PARTY OR OTHERWISE USED, AND IT IS TO BE RETURNED PROMPTLY UPON REQUEST TO ELECTROLUX WHICH IS RESPONSIBLE FOR THE DRAWING.

CRITICAL DIMENSIONS WHICH MUST BE UNDER CAPABILITY

SAFETY RISKS

VISIBLE SURFACES

DRAFT ANGLES (NOT SHOWN): 00°0'00"

THEORETICAL FLAT AREA

DEVELOPED FLAT AREA

GENERAL TOLERANCES

ANGLES : ±°

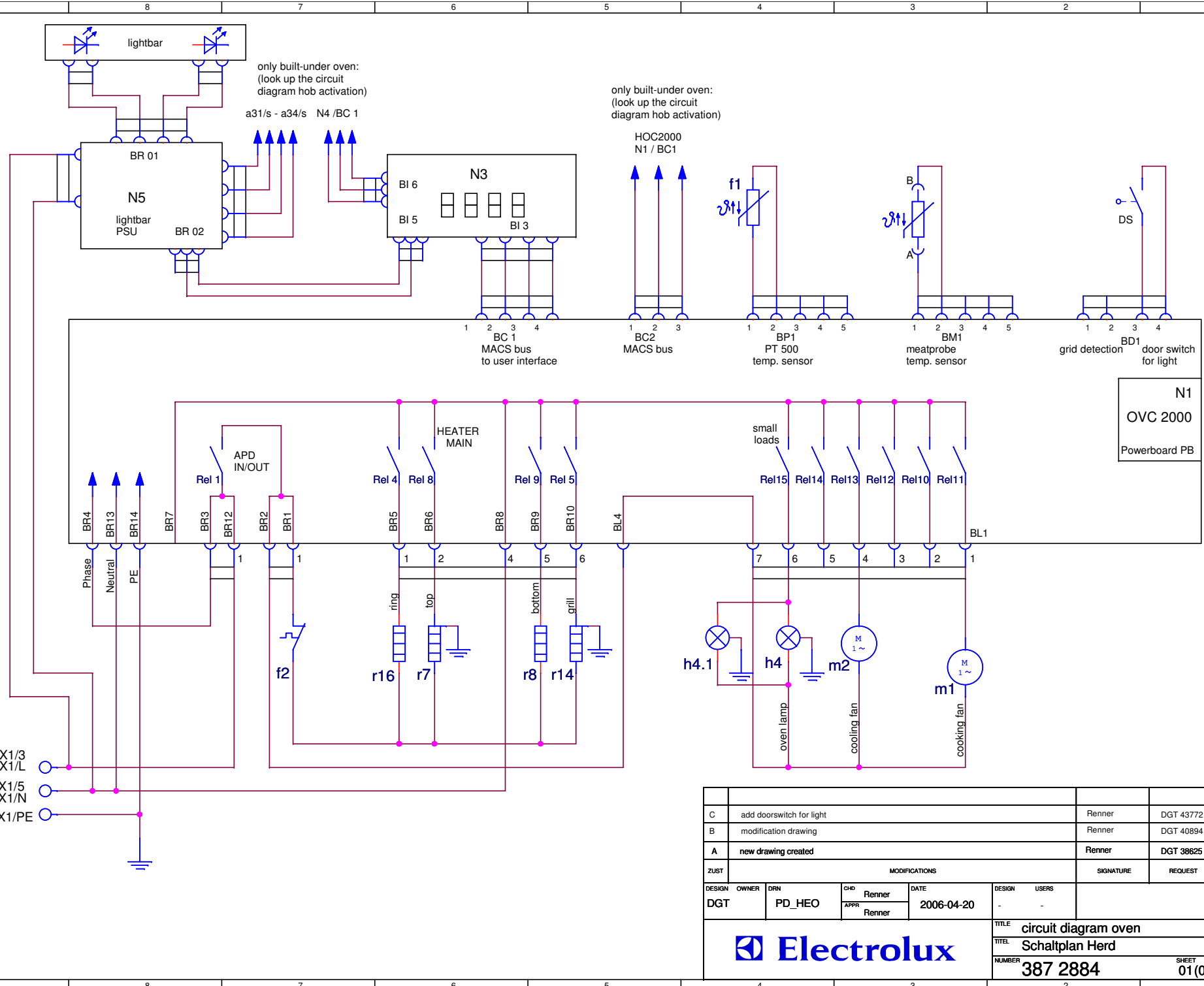
LENGTHS AND DIAMETERS

< 8 mm : ±0.1 mm

8 - 30 mm : ±0.2 mm

> 30 mm : ±0.3 mm

A4



DESIGN		OWNER	DRN	CHD	Renner	DATE	DESIGN	USERS		
DGT		PD_HEO		APPR	Renner	2006-04-20	-	-		
ZUST		MODIFICATIONS				SIGNATURE		REQUEST		DATE
C		add doorswitch for light				Renner		DGT 43772		2006-08-11
B		modification drawing				Renner		DGT 40894		2006-05-23
A		new drawing created				Renner		DGT 38625		2006-04-20
TITLE		circuit diagram oven								
TITEL		Schaltplan Herd								
NUMBER		387 2884		SHEET		01(01)		REV		C

