

THE ITEM(S) SHOWN IN THIS DRAWING MUST NOT CONTAIN FORMALDEHYDE, CADMIUM, MERCURY, ASBESTOS OR PBB/PBDO.

THIS DRAWING CONTAINS CONFIDENTIAL INFORMATIONS. IT'S PROPERTY OF ELECTROLUX WITHOUT WHOSE PERMISSION IT MAY NOT BE COPIED, SHOWN OR HANDED TO A THIRD PARTY OR OTHERWISE USED, AND IT IS TO BE RETURNED PROMPTLY UPON REQUEST TO ELECTROLUX WHICH IS RESPONSIBLE FOR THE DRAWING.

[2] CRITICAL DIMENSIONS WHICH MUST BE UNDER CAPABILITY

SAFETY RISKS

--- : VISIBLE SURFACES
DRAFT ANGLES (NOT SHOWN): 00°00'00"

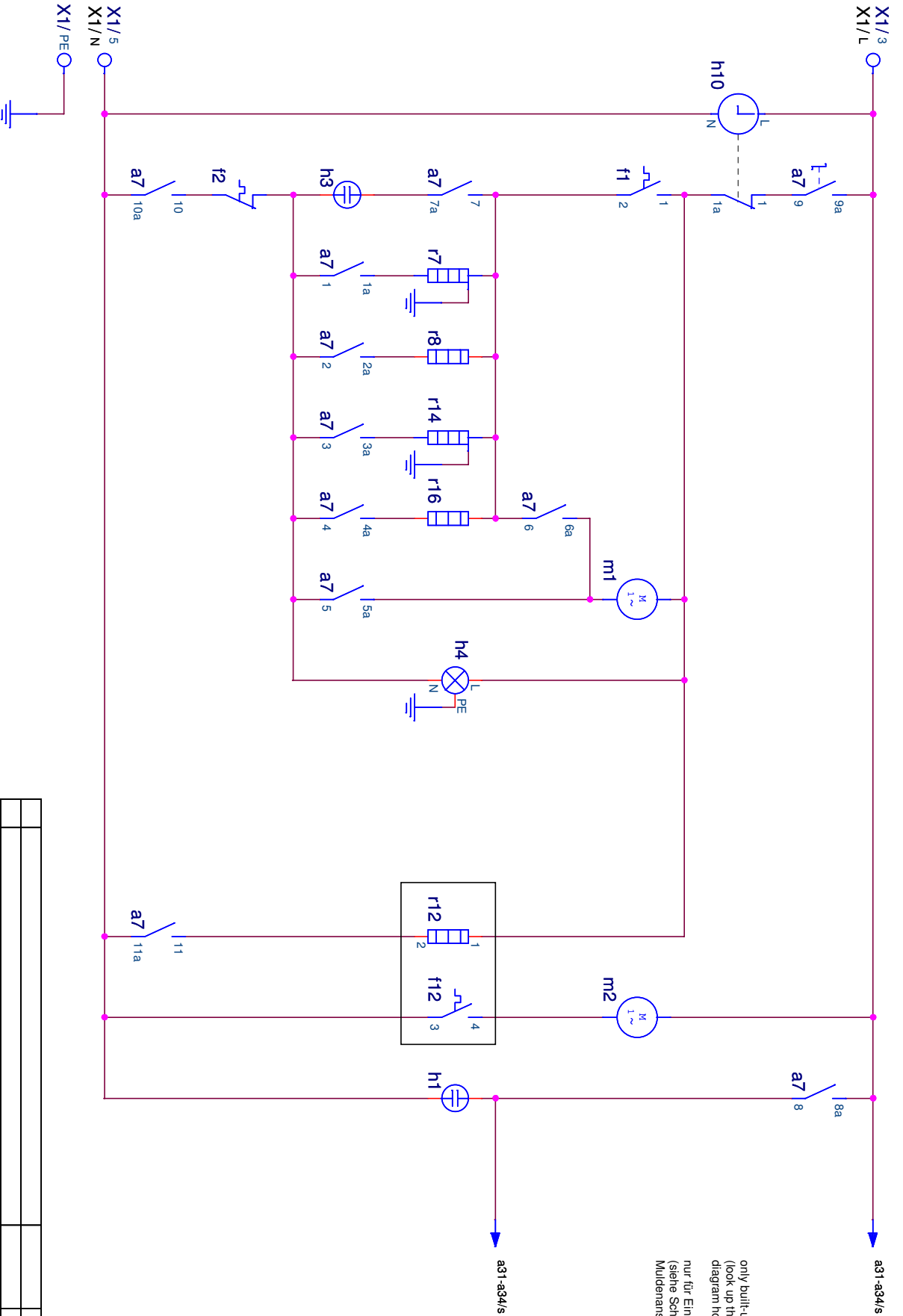
THEORETICAL FLAT AREA

DEVELOPED FLAT AREA

GENERAL TOLERANCES

ANGLES : ± 0.5°
LENGTHS AND DIAMETERS:
<18 mm. : ± 0.1 mm
18 - 80 mm. : ± 0.2 mm
>80 mm. : ± 0.3 mm

A4



only built-under oven:
(look up the circuit
diagram hob activation)

nur für Einbaubehälter:
(siehe Schaltplan
Muldensteuerung)

DESIGN		OWNER		DRN		DGT	
A		new drawing created		PD - HEO		DGT	
ZUST		REN		REN		REN	
MODIFICATIONS		DATE		DATE		DATE	
2006-03-22		2006-03-22		2006-03-22		2006-03-22	
DESIGN		USERS		REQUEST		DATE	
REN		REN		REN		2006-03-22	
TITLE		TITLE		TITLE		TITLE	
Schaltplan Herd		Schaltplan Herd		Schaltplan Herd		Schaltplan Herd	
SHEET		SHEET		SHEET		SHEET	
01 (01)		01 (01)		01 (01)		01 (01)	
REV		REV		REV		REV	
A		A		A		A	

Electrolux

387 2812

01 (01) A