

THE ITEM(S) SHOWN IN THIS DRAWING MUST NOT CONTAIN FORMALDEHYDE, CADMIUM, MERCURY, ASBESTOS OR PBB/PPBO.

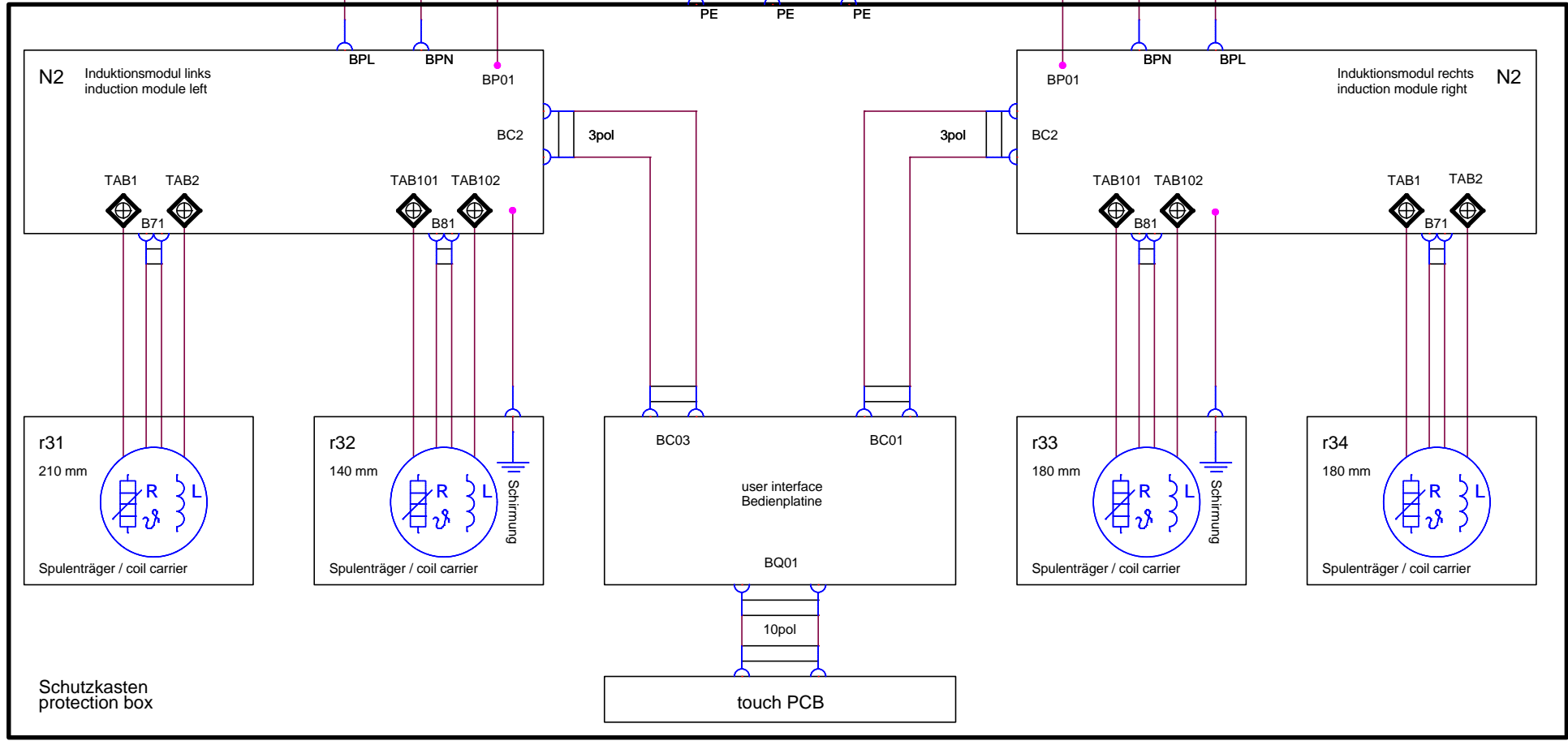
THIS DRAWING CONTAINS CONFIDENTIAL INFORMATION. IT'S PROPERTY OF ELECTROLUX WITHOUT WHOSE PERMISSION IT MAY NOT BE COPIED, SHOWN OR HANDED TO A THIRD PARTY OR OTHERWISE USED, AND IT IS TO BE RETURNED PROMPTLY UPON REQUEST TO ELECTROLUX WHICH IS RESPONSIBLE FOR THE DRAWING.

CRITICAL DIMENSIONS WHICH MUST BE UNDER CAPABILITY [2] MUST BE UNDER CAPABILITY. SAFETY RISKS: VISIBLE SURFACES: DRAFT ANGLES (NOT SHOWN): 0°/0°/0°/0°

THEORETICAL FLAT AREA DEVELOPED FLAT AREA

GENERAL TOLERANCES ANGLES: ±° LENTHS AND DIAMETERS: 18-80 mm: ±0.1 mm 80-160 mm: ±0.15 mm >160 mm: ±0.2 mm

- X1/1
- X1/4
- X1/PE
- X1/4
- X1/1



DESIGN		OWNER	DRN	CHD	DATE	DESIGN	USERS	EUROPEAN METHOD	
DGT		DGR-PE_PD		Weiß	2005-12-21			A	
ZUST		MODIFICATIONS				SIGNATURE		REQUEST	DATE
A		first edition				Weiß		DGT37429	2005-12-21
TITLE						circuit diagram induction TAP / UK			
TITEL						Schaltplan Induktion TAP / UK			
NUMBER						387 2645		SHEET	REV
						01(01)		A	

