

THE ITEMS SHOWN IN THIS DRAWING MUST NOT CONTAIN FORMALDEHYDE, CADMIUM, MERCURY, ASBESTOS OR PBB/PBD.

THIS DRAWING MUST NOT BE COPIED, SHOWN OR HANDED TO A THIRD PARTY OR OTHERWISE USED, AND IT IS TO BE RETURNED PROMPTLY UPON REQUEST TO ELECTROLUX WHICH IS RESPONSIBLE FOR THE DRAWING.

CRITICAL DIMENSIONS WHICH MUST BE UNDER CAPABILITY

SAFETY RISKS

VISIBLE SURFACES

DRAFT ANGLES (NOT SHOWN): 00°00'00"

THEORETICAL FLAT AREA

DEVELOPED FLAT AREA

GENERAL TOLERANCES

ANGLES : ±°

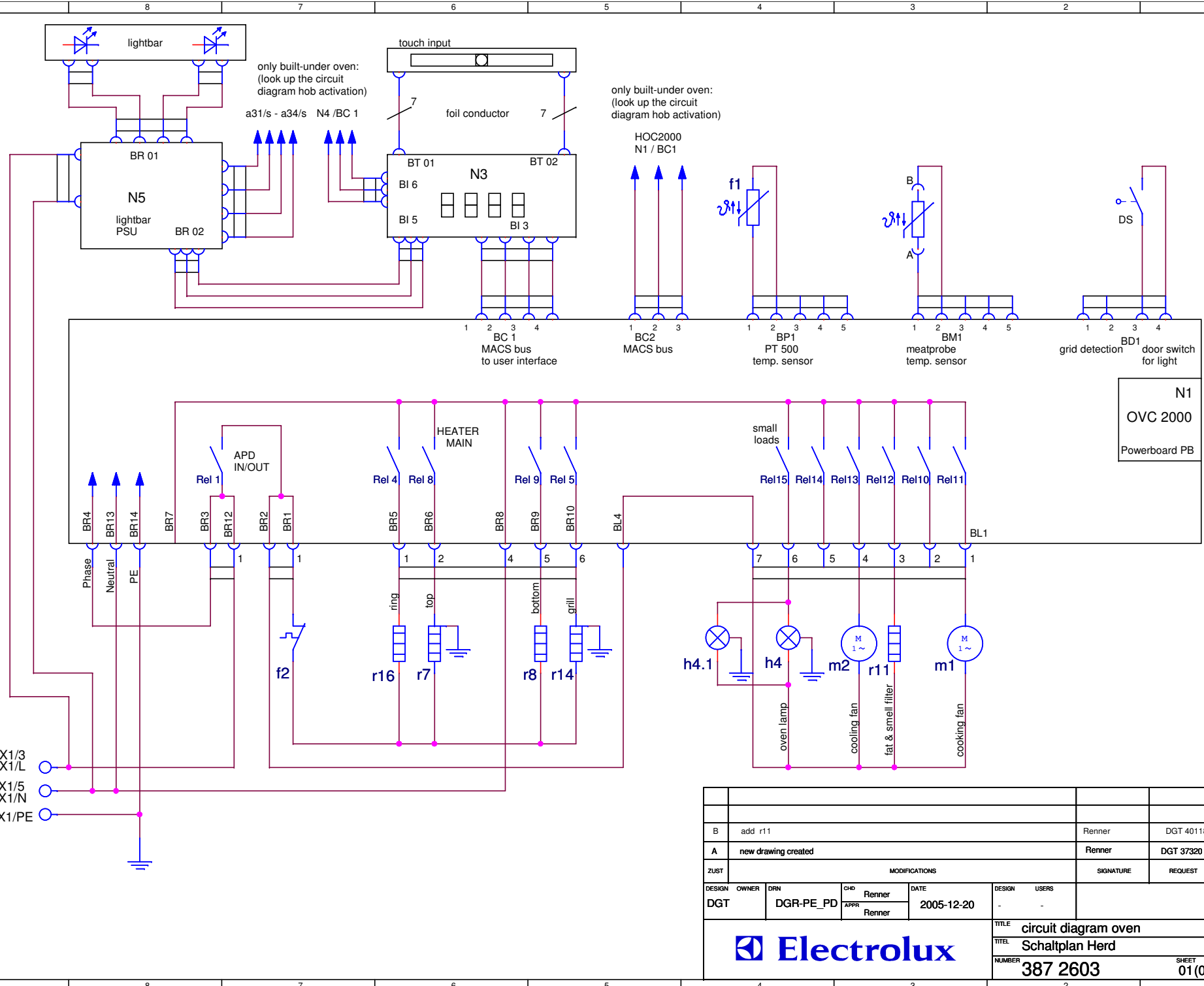
LENGTHS AND DIAMETERS

< 8 mm : ±0.10 mm

8 - 30 mm : ±0.15 mm

> 30 mm : ±0.20 mm

A4



DESIGN		OWNER	DRN	CHD	DATE	DESIGN	USERS		
DGT	DGR-PE_PD	Renner	Renner	Renner	2005-12-20	-	-		
ZUST		MODIFICATIONS				SIGNATURE		REQUEST	DATE
B		add r11				Renner		DGT 40118	2006-04-20
A		new drawing created				Renner		DGT 37320	2005-12-20
TITLE		circuit diagram oven							
TITEL		Schaltplan Herd							
NUMBER		387 2603		SHEET		01(01)		REV	
								B	

