

THE TERMS SHOWN IN THIS DRAWING MUST NOT CONTAIN FORMALDEHYDE, CADMIUM, MERCURY, ASBESTOS OR PBB/PBDO.

THIS DRAWING CONTAINS CONFIDENTIAL INFORMATION. IT'S PROPERTY OF ELECTROLUX. WITHOUT EXPRESS PERMISSION IT MAY NOT BE COPIED, SHOWN OR HANDED TO A THIRD PARTY OR OTHERWISE USED, AND IT IS TO BE RETURNED PROMPTLY UPON REQUEST TO ELECTROLUX WHICH IS RESPONSIBLE FOR THE DRAWING.

CRITICAL DIMENSIONS WHICH MUST BE UNDER CAPABILITY [2] MUST BE UNDER CAPABILITY [2].  
**SAFETY RISKS**  
 VISIBLE SURFACES  
 DRAFT ANGLES (NOT SHOWN): 07°/00'00"

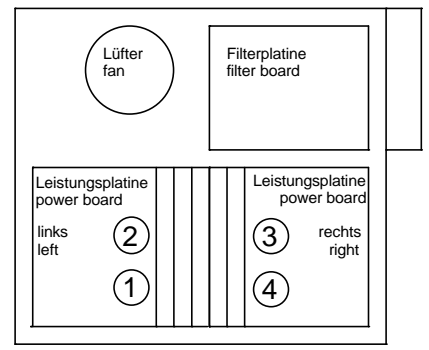
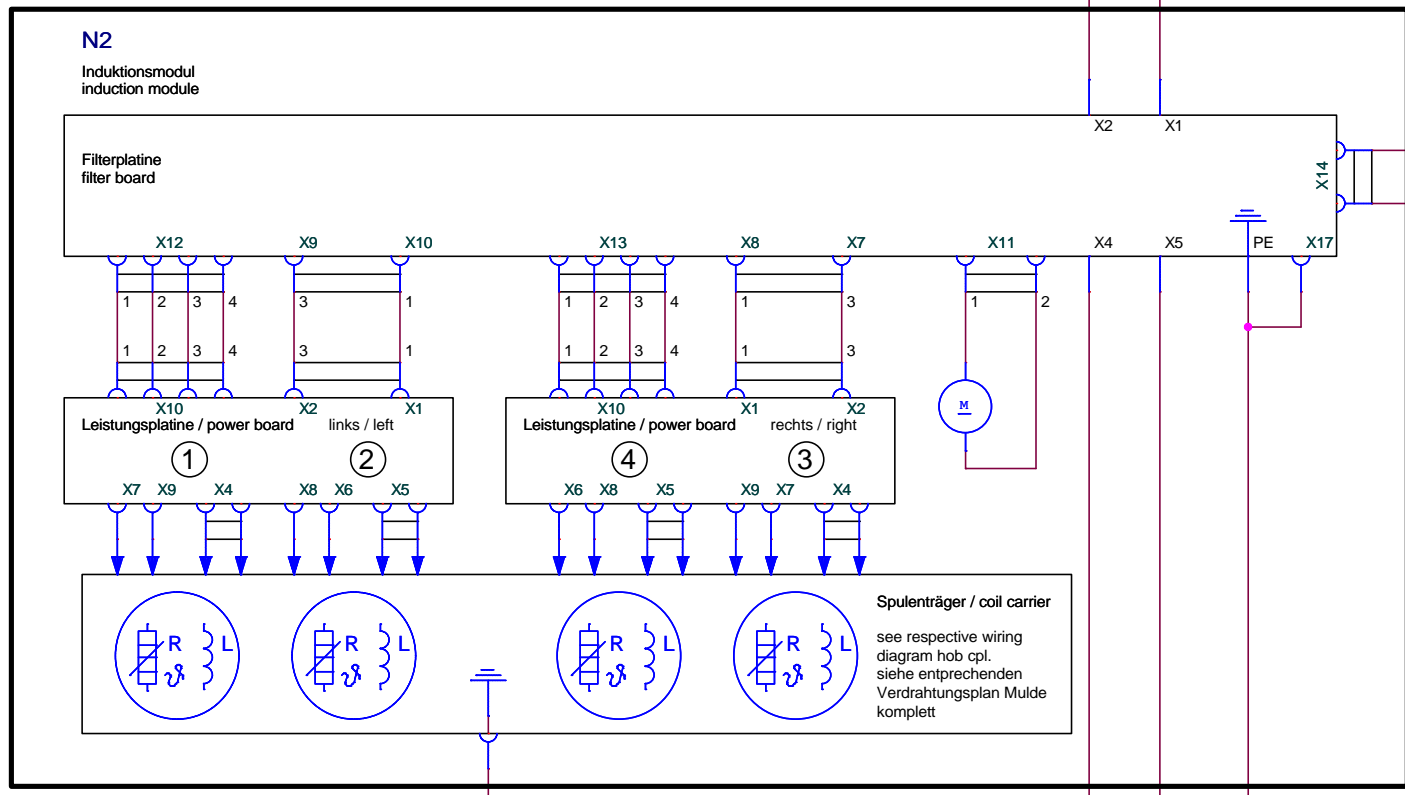
THEORETICAL FLAT AREA  
 DEVELOPED FLAT AREA

GENERAL TOLERANCES  
 ANGLES : 30°  
 LENGTHS AND DIAMETERS:  
 <18 mm. : ±0.1  
 18-80mm. : ±0.2  
 >80 mm. : ±0.3

A4

X1/1  
 X1/2  
 X1/3

X1/4  
 X1/5  
 X1/ PE



DESIGN		OWNER		DRN	CHD	DATE	DESIGN	USERS	EUROPEAN METHOD																																																		
DGT		DGR-PE_PD			Weiß	2005-11-09			☑																																																		
ZUST		MODIFICATIONS		SIGNATURE		REQUEST		DATE																																																			
A		new drawing created		Weiß		DGT 36266		2005-11-09																																																			
<table border="1"> <tr> <td colspan="5">TITLE</td> <td colspan="5">circuit diagram hob</td> </tr> <tr> <td colspan="5">TITEL</td> <td colspan="5">Schaltplan Mulde</td> </tr> <tr> <td colspan="5">NUMBER</td> <td colspan="5">387 2361</td> </tr> <tr> <td colspan="5">SHEET</td> <td colspan="5">01(01)</td> </tr> <tr> <td colspan="5">REV</td> <td colspan="5">A</td> </tr> </table>										TITLE					circuit diagram hob					TITEL					Schaltplan Mulde					NUMBER					387 2361					SHEET					01(01)					REV					A				
TITLE					circuit diagram hob																																																						
TITEL					Schaltplan Mulde																																																						
NUMBER					387 2361																																																						
SHEET					01(01)																																																						
REV					A																																																						

