

THE ITEM(S) SHOWN IN THIS DRAWING MUST NOT CONTAIN FORMALDEHYDE, CADMIUM, MERCURY, ASBESTOS ORPBB/PBDO.

THIS DRAWING CONTAINS CONFIDENTIAL INFORMATIONS. IT'S PROPERTY OF ELECTROLUX WITHOUT WHOSE PERMISSION IT MAY NOT BE COPIED, SHOWN OR HANDED TO A THIRD PARTY OR OTHERWISE USED, AND IT IS TO BE RETURNED PROMPTLY UPON REQUEST TO ELECTROLUX WHICH IS RESPONSIBLE FOR THE DRAWING.

[2] CRITICAL DIMENSIONS WHICH MUST BE UNDER CAPABILITY

**SAFETY RISKS**

--- : VISIBLE SURFACES  
DRAFT ANGLES (NOT SHOWN): 00°00'00"

THEORETICAL FLAT AREA

DEVELOPED FLAT AREA

GENERAL TOLERANCES

ANGLES : ±

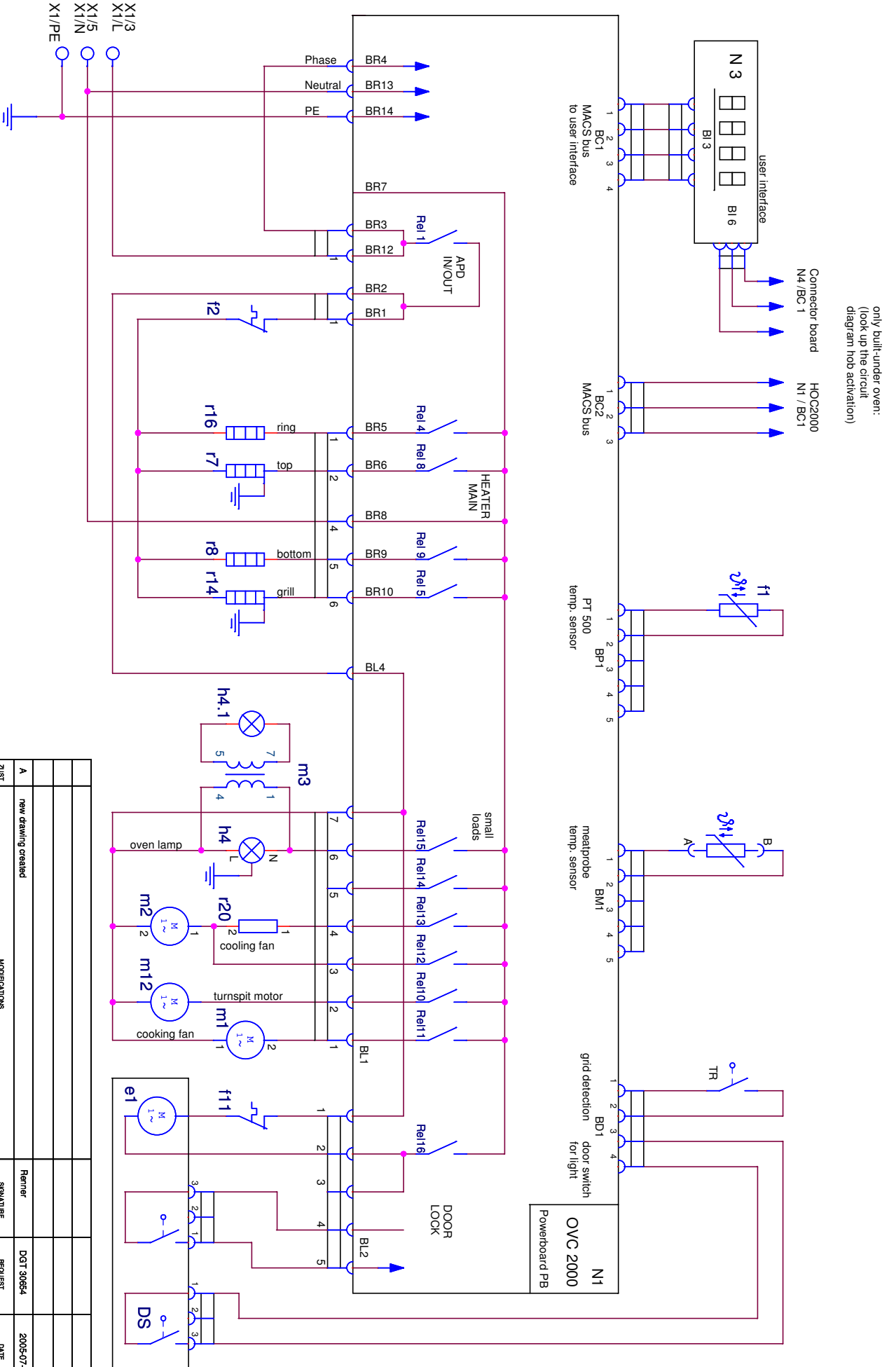
LENGTHS AND DIAMETERS:

<18 mm. : ±

18 - 80 mm. : ±

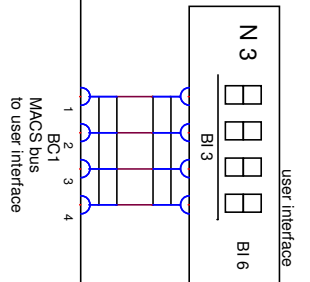
>80 mm. : ±

A4



only built-under oven:  
(look up the circuit  
diagram hob activation)

Connector board  
N4 / BC 1  
HOCC2000  
N1 / BC1



MACS bus  
to user interface

MACS bus

PT 500  
temp. sensor

meatprobe  
temp. sensor

grid detection  
door switch  
for light

N1  
OVC 2000  
Powerboard PB

X1/3  
X1/L  
X1/5  
X1/N  
X1/PE

DESIGN		OWNER		DGN		DGT	
A		new drawing created		DGR-PE_PD		DGT	
ZUST		Rennier		Rennier		Rennier	
MODIFICATIONS		DATE		DATE		DATE	
		2005-07-01		2005-07-01		2005-07-01	
DESIGN		USERS		SIGNATURE		REQUEST	
		Rennier		Rennier		Rennier	
TITLE		DESIGN		DATE		DATE	
Schaltplan Herd		DGT 30654		2005-07-01		2005-07-01	
SHEET		REV		DATE		DATE	
01 (01)		A		2005-07-01		2005-07-01	



387 1584

01 (01)

A