

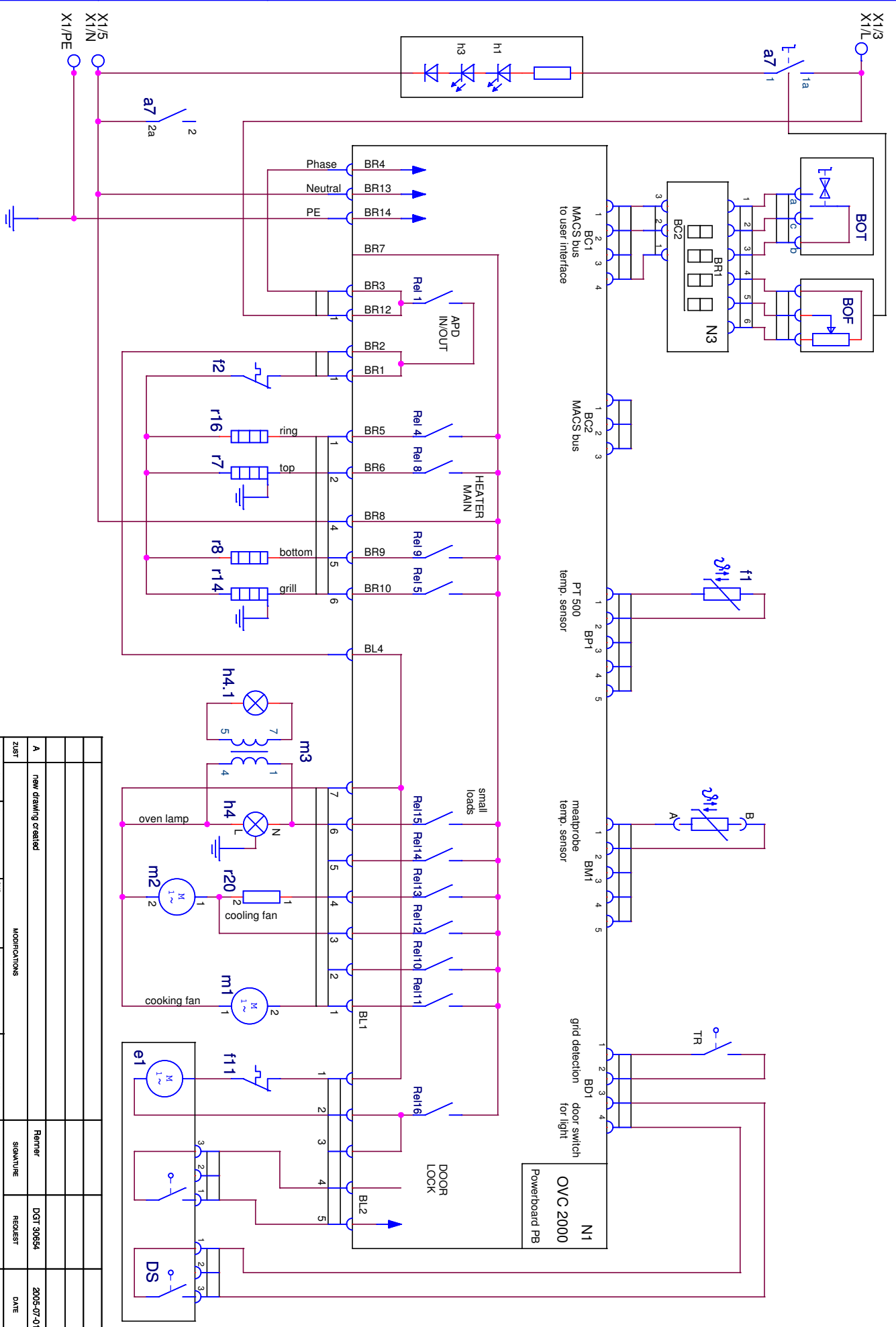
THE ITEM(S) SHOWN IN THIS DRAWING MUST NOT CONTAIN FORMALDEHYDE, CADMIUM, MERCURY, ASBESTOS OR PBB/PBDO.

THIS DRAWING CONTAINS CONFIDENTIAL INFORMATIONS. IT'S PROPERTY OF ELECTROLUX. WITHOUT WHOSE PERMISSION IT MAY NOT BE COPIED, SHOWN OR HANDED TO A THIRD PARTY OR OTHERWISE USED, AND IT IS TO BE RETURNED PROMPTLY UPON REQUEST TO ELECTROLUX WHICH IS RESPONSIBLE FOR THE DRAWING.

CRITICAL DIMENSIONS WHICH MUST BE UNDER CAPABILITY
SAFETY RISKS
 : VISIBLE SURFACES
 DRAFT ANGLES (NOT SHOWN): 00°00'00"

THEORETICAL FLAT AREA
 DEVELOPED FLAT AREA

GENERAL TOLERANCES
 ANGLES :
 LENGTHS AND DIAMETERS:
 <18 mm.
 18 - 80 mm.
 >80 mm.



DESIGN	OWNER	DATE	MODIFICATIONS
DGT	DGR-PE_PD	2005-07-01	

DESIGN	OWNER	DATE	MODIFICATIONS
A	new drawing created		

DESIGN	OWNER	DATE	MODIFICATIONS
DGT	DGR-PE_PD	2005-07-01	



Electrolux
 Schatijpan Herd
 387 1583
 TITLE: circuit diagram oven
 SHEET: 01(01)
 REV: A