

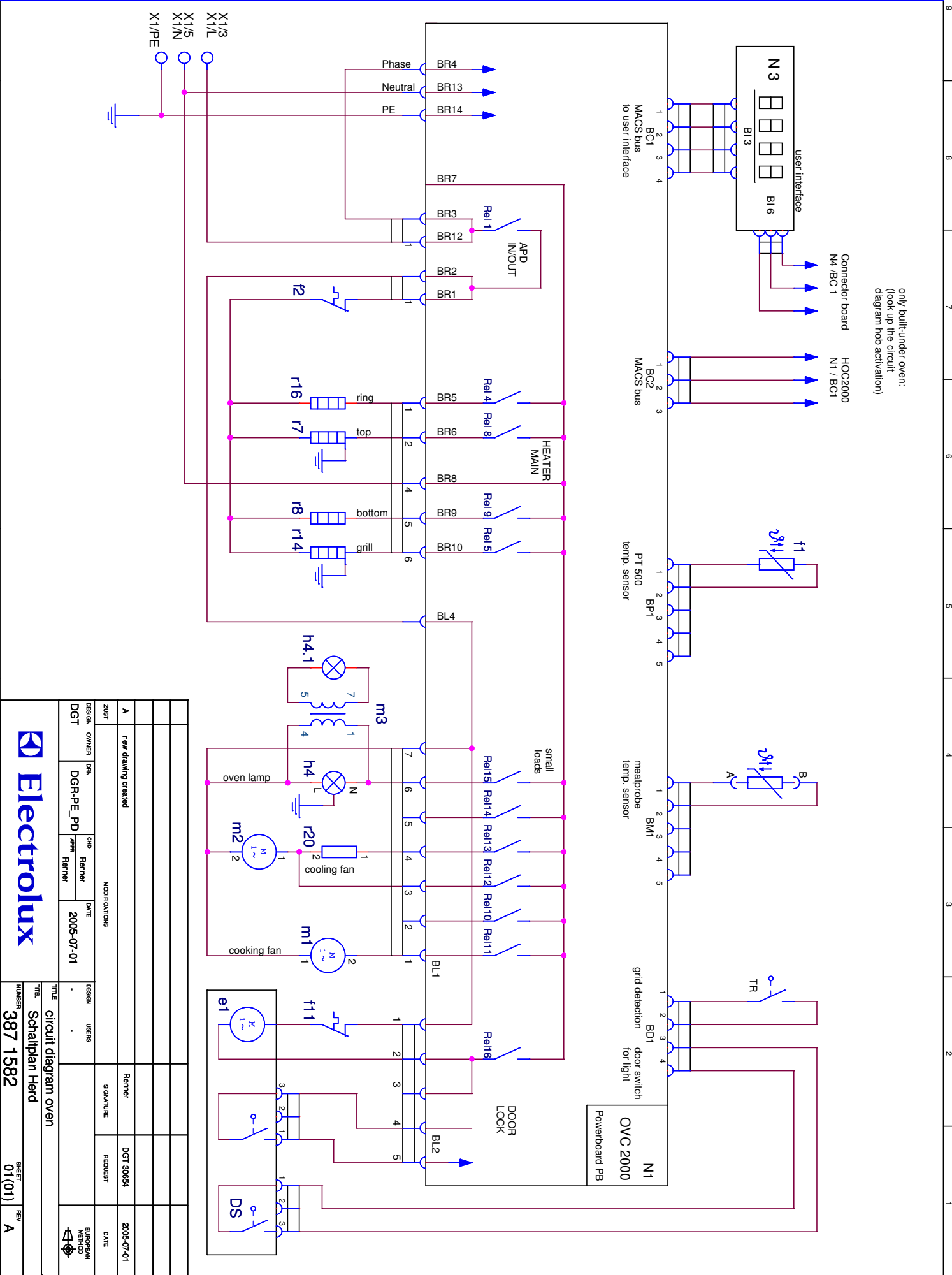
THE ITEM(S) SHOWN IN THIS DRAWING MUST NOT CONTAIN FORMALDEHYDE, CADMIUM, MERCURY, ASBESTOS OR PBB/PBDO.

THIS DRAWING CONTAINS CONFIDENTIAL INFORMATIONS. IT'S PROPERTY OF ELECTROLUX WITHOUT WHOSE PERMISSION IT MAY NOT BE COPIED, SHOWN OR HANDED TO A THIRD PARTY OR OTHERWISE USED, AND IT IS TO BE RETURNED PROMPTLY UPON REQUEST TO ELECTROLUX WHICH IS RESPONSIBLE FOR THE DRAWING.

CRITICAL DIMENSIONS WHICH MUST BE UNDER CAPABILITY  
**SAFETY RISKS**  
 VISIBLE SURFACES  
 DRAFT ANGLES (NOT SHOWN): 00°00'00"

THEORETICAL FLAT AREA  
 DEVELOPED FLAT AREA

GENERAL TOLERANCES  
 ANGLES :  
 LENGTHS AND DIAMETERS:  
 <18 mm.  
 18 - 80 mm.  
 >80 mm.



only built-under oven:  
 (look up the circuit  
 diagram hob activation)

Connector board  
 N4/BC1

HOC2000  
 N1/BC1

DESIGN	OWNER	DATE	MODIFICATIONS
DGT	ZUST	2005-07-01	

DESIGN	OWNER	DATE	MODIFICATIONS
DGT	ZUST	2005-07-01	

DESIGN	OWNER	DATE	MODIFICATIONS
DGT	ZUST	2005-07-01	



387 1582  
 Schalplan Herd  
 circuit diagram oven

9 8 7 6 5 4 3 2 1

A4