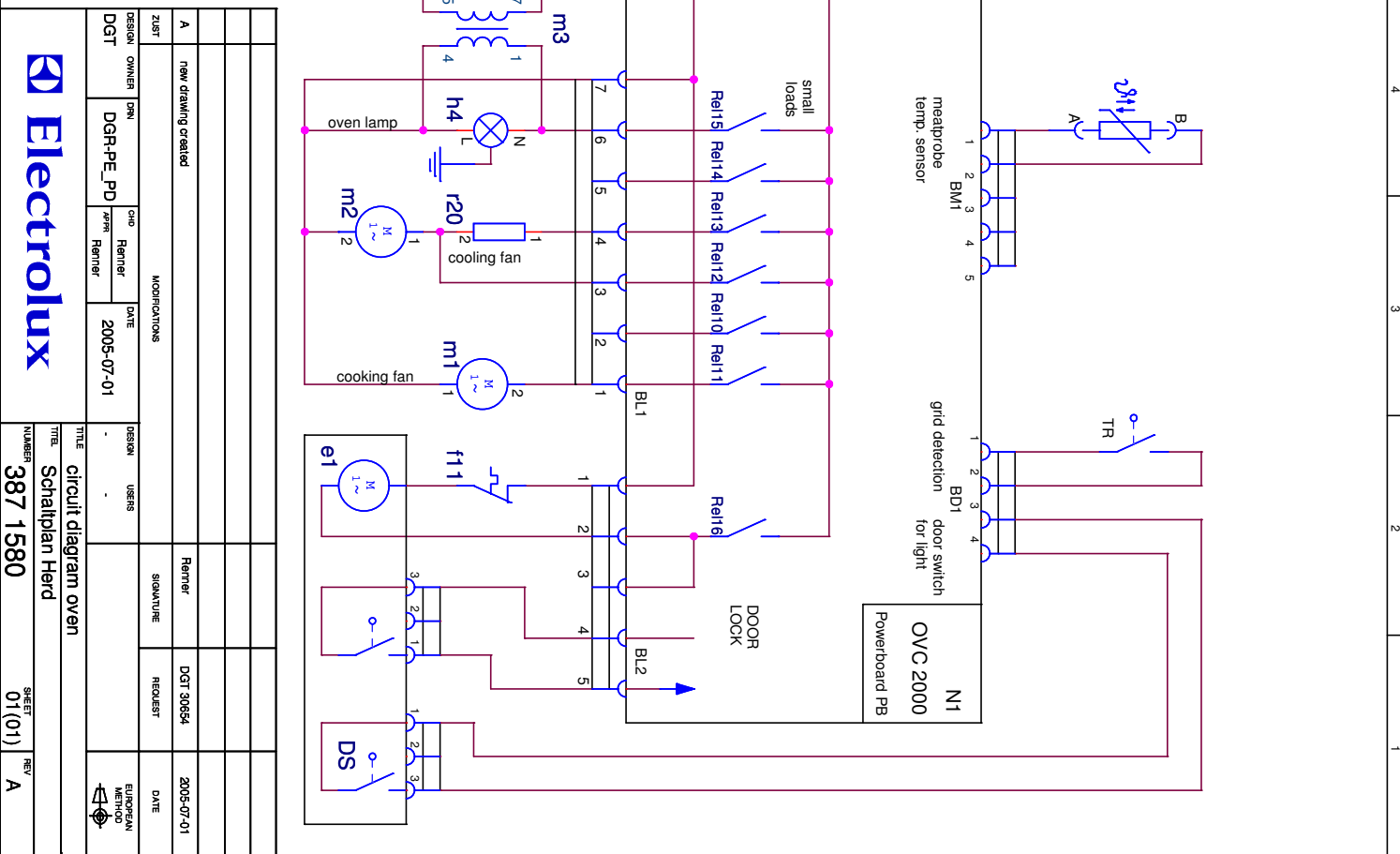
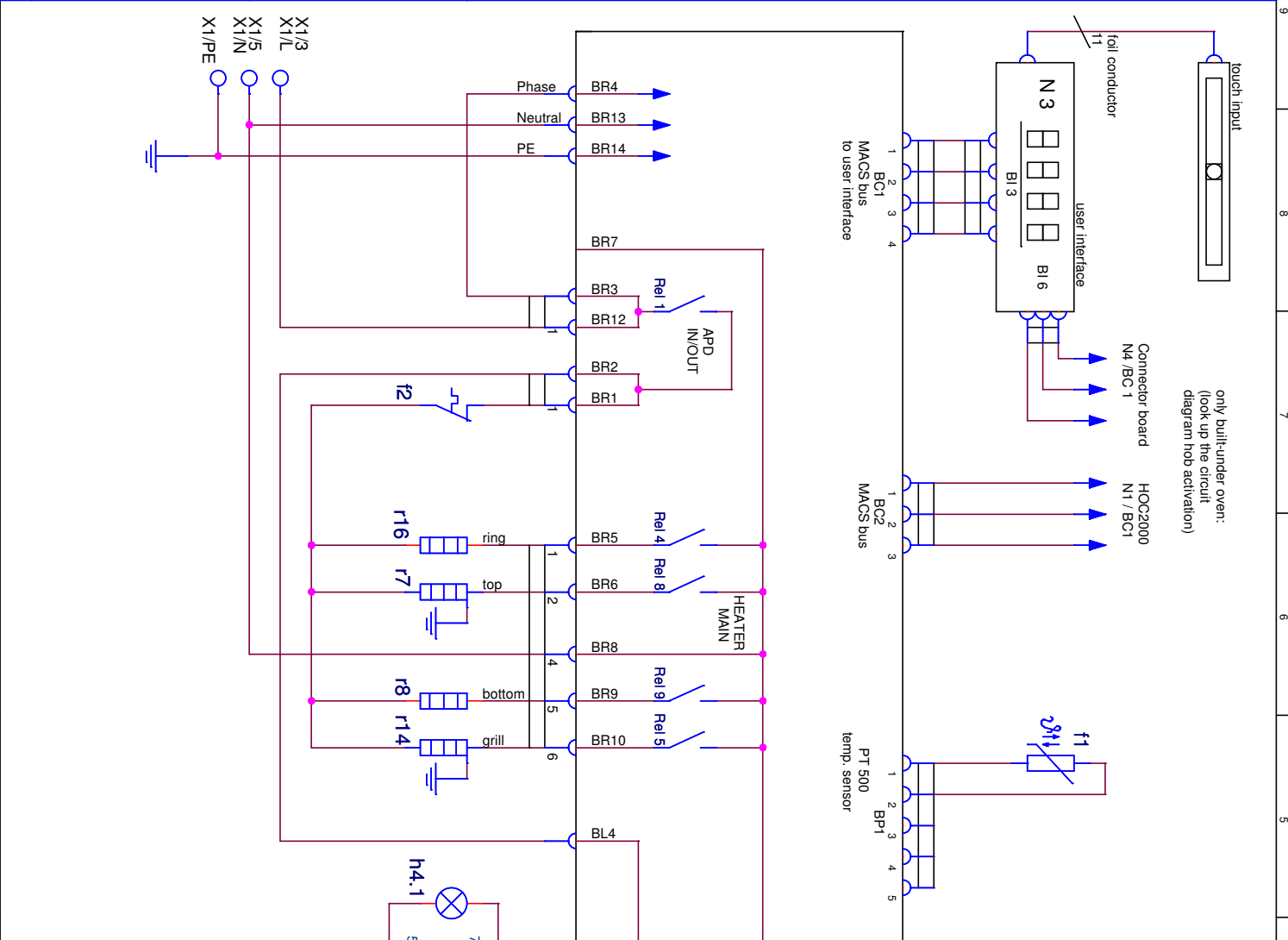


<p>GENERAL TOLERANCES</p> <p>ANGLES : $\pm 0.1^\circ$</p> <p>LENGTHS AND DIAMETERS:</p> <ul style="list-style-type: none"> <18 mm. ± 0.1 mm 18 - 80 mm. ± 0.2 mm >80 mm. ± 0.3 mm 	<p>THEORETICAL FLAT AREA</p> <p>DEVELOPED FLAT AREA</p>	<p>[2] CRITICAL DIMENSIONS WHICH MUST BE UNDER CAPABILITY</p> <p>SAFETY RISKS</p> <p>! : VISIBLE SURFACES</p> <p>DRAFT ANGLES (NOT SHOWN): 00°00'00"</p>	<p>THIS DRAWING CONTAINS CONFIDENTIAL INFORMATIONS. IT'S PROPERTY OF ELECTROLUX WITHOUT WHOSE PERMISSION IT MAY NOT BE COPIED, SHOWN OR HANDED TO A THIRD PARTY OR OTHERWISE USED, AND IT IS TO BE RETURNED PROMPTLY UPON REQUEST TO ELECTROLUX WHICH IS RESPONSIBLE FOR THE DRAWING.</p>	<p>THE ITEM(S) SHOWN IN THIS DRAWING MUST NOT CONTAIN FORMALDEHYDE, CADMIUM, MERCURY, ASBESTOS OR PBB/PBDO.</p>
--	---	---	---	---



only built-under oven: (look up the circuit diagram hob activation)

A	new drawing created								
ZUST	DGR-PE_PD	DGT	OWNER	DAN	CHD	REITER	REITER	DATE	2005-07-01
MODIFICATIONS									
DESIGN	OWNER	DAN	CHD	REITER	REITER	DATE	2005-07-01		
SIGNATURE									
REQUEST									
DATE									
EUROPEAN METHOD									
TITLE									
circuit diagram oven									
TITLE									
Schalplan Herd									
NUMBER									
387 1580									
SHEET									
01(01)									
REV									
A									

