

THE ITEM(S) SHOWN IN THIS DRAWING MUST NOT CONTAIN FORMALDEHYDE, CADMIUM, MERCURY, ASBESTOS OR PBB/PBDO.

THIS DRAWING CONTAINS CONFIDENTIAL INFORMATIONS. IT'S PROPERTY OF ELECTROLUX WITHOUT WHOSE PERMISSION IT MAY NOT BE COPIED, SHOWN OR HANDED TO A THIRD PARTY OR OTHERWISE USED, AND IT IS TO BE RETURNED PROMPTLY UPON REQUEST TO ELECTROLUX WHICH IS RESPONSIBLE FOR THE DRAWING.

[2] CRITICAL DIMENSIONS WHICH MUST BE UNDER CAPABILITY

**SAFETY RISKS**

--- : VISIBLE SURFACES  
DRAFT ANGLES (NOT SHOWN): 00°00'00"

THEORETICAL FLAT AREA  
DEVELOPED FLAT AREA

GENERAL TOLERANCES

ANGLES : ±

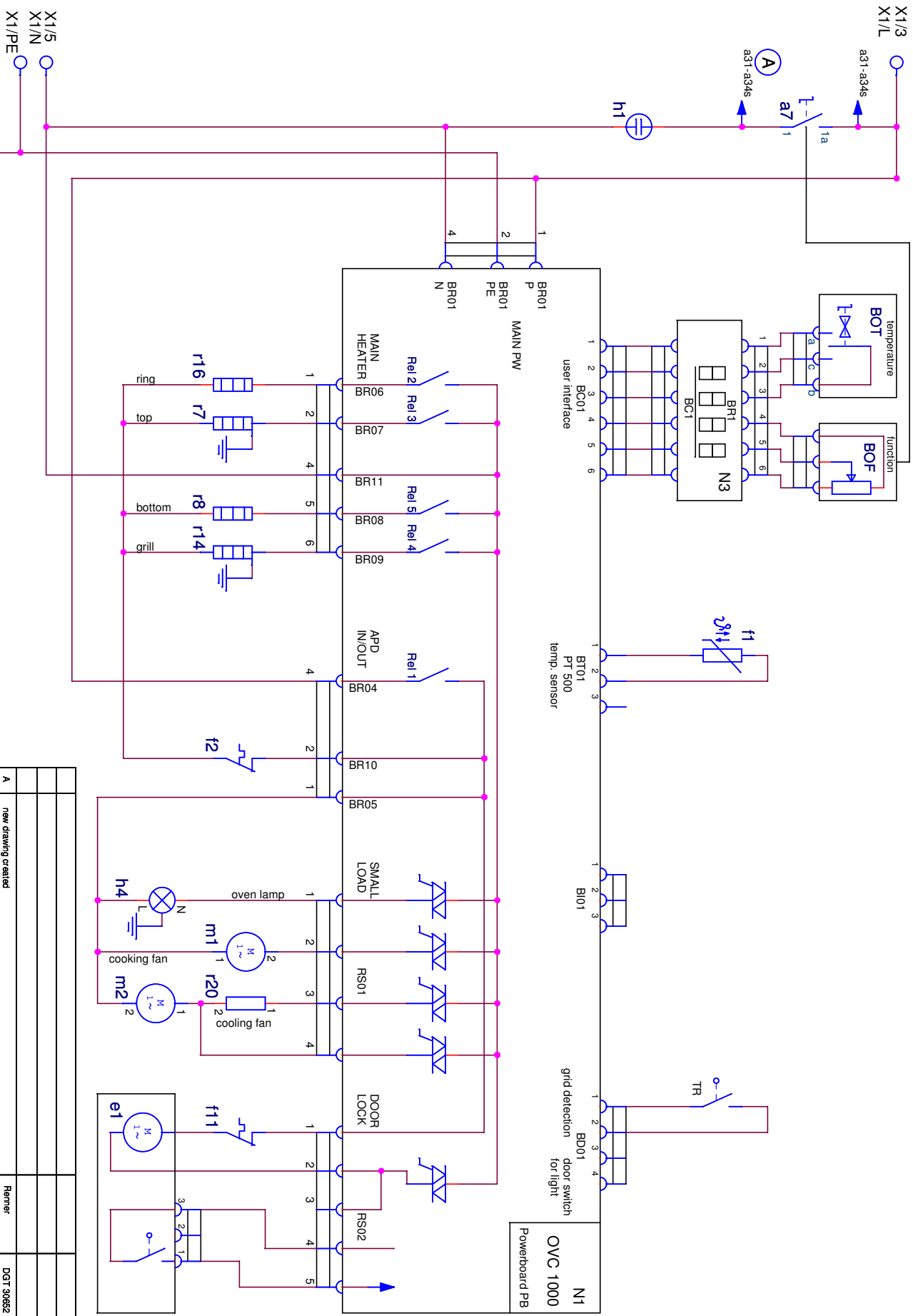
LENGTHS AND DIAMETERS:

<18 mm : ±

18 - 80 mm : ±

80 mm : ±

A4



**A** Anmerkung / Note

Nur bei Einbaubehälter  
Siehe Schaltplan der  
Muldensteuerung.

only built under ovens!  
look up the circuit  
diagram hob activation.

DESIGN		OWNER		DGN		OWN		CHG		DATE		DESIGN		USERS	
A		new drawing created		DGR-PE_PD		Renner		Renner		2005-05-18		Renner		387 1568	
ZUST		MODIFICATIONS		SIGNATURE		REQUEST		DATE		REVISION		DATE		REVISION	
DGT				Renner		DGT 30652		2005-05-18		01 (01)		A		A	
<p><b>Electrolux</b></p> <p>EUROPEAN MILANO</p>															