

THE ITEM(S) SHOWN IN THIS DRAWING MUST NOT CONTAIN FORMALDEHYDE, CADMIUM, MERCURY, ASBESTOS OR PBB/PBDO.

THIS DRAWING CONTAINS CONFIDENTIAL INFORMATIONS. IT'S PROPERTY OF ELECTROLUX WITHOUT WHOSE PERMISSION IT MAY NOT BE COPIED, SHOWN OR HANDED TO A THIRD PARTY OR OTHERWISE USED, AND IT IS TO BE RETURNED PROMPTLY UPON REQUEST TO ELECTROLUX WHICH IS RESPONSIBLE FOR THE DRAWING.

[2] CRITICAL DIMENSIONS WHICH MUST BE UNDER CAPABILITY

**SAFETY RISKS**

--- : VISIBLE SURFACES  
DRAFT ANGLES (NOT SHOWN): 00°00'00"

THEORETICAL FLAT AREA

DEVELOPED FLAT AREA

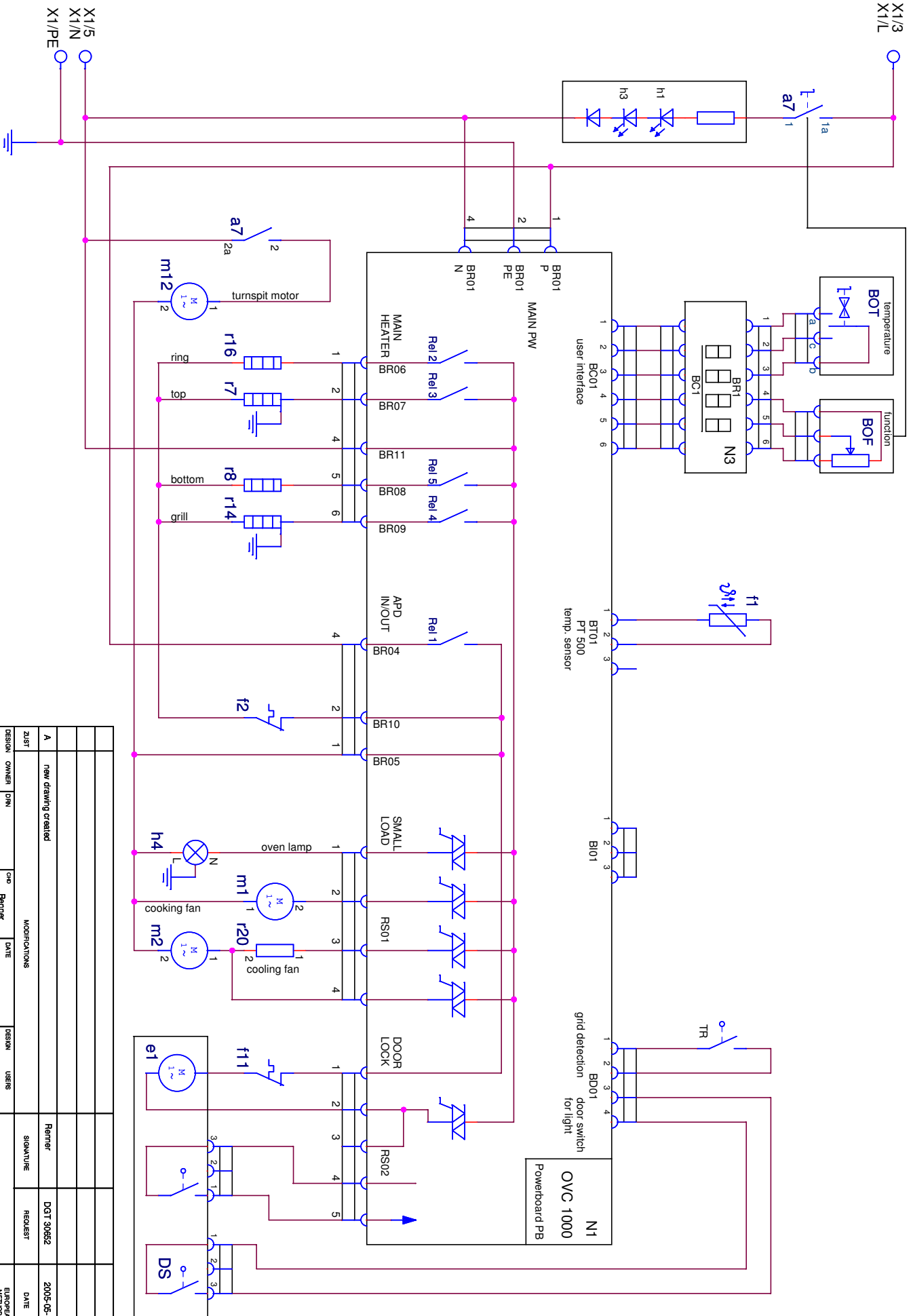
GENERAL TOLERANCES

ANGLES : ±

LENGTHS AND DIAMETERS:

- <18 mm. : ±
- 18 - 80 mm. : ±
- >80 mm. : ±

A4



DESIGN	OWNER	DRN	DATE	DESIGN	USERS	DATE
DGT	new drawing created	DGR-PE_PD	2005-05-18			2005-05-18
ZUST						
MODIFICATIONS						
DESIGN	OWNER	DRN	DATE	DESIGN	USERS	DATE
DGT	new drawing created	DGR-PE_PD	2005-05-18			2005-05-18
ZUST						
SIGNATURE						
DESIGN	OWNER	DRN	DATE	DESIGN	USERS	DATE
DGT	new drawing created	DGR-PE_PD	2005-05-18			2005-05-18
ZUST						
REQUEST						
DESIGN	OWNER	DRN	DATE	DESIGN	USERS	DATE
DGT	new drawing created	DGR-PE_PD	2005-05-18			2005-05-18
ZUST						
REQUEST						
DESIGN	OWNER	DRN	DATE	DESIGN	USERS	DATE
DGT	new drawing created	DGR-PE_PD	2005-05-18			2005-05-18
ZUST						
REQUEST						

**Electrolux**

TITLE: Schaltplan Herd  
NUMBER: 387 1566

SHEET: 01 (01)  
REV: A

