

THE ITEM(S) SHOWN IN THIS DRAWING MUST NOT CONTAIN FORMALDEHYDE, CADMIUM, MERCURY, ASBESTOS OR PBB/PBDO.

THIS DRAWING CONTAINS CONFIDENTIAL INFORMATION. IT'S PROPERTY OF ELECTROLUX WITHOUT WHOSE PERMISSION IT MAY NOT BE COPIED, SHOWN OR HANDED TO A THIRD PARTY OR OTHERWISE USED, AND IT IS TO BE RETURNED PROMPTLY UPON REQUEST TO ELECTROLUX WHICH IS RESPONSIBLE FOR THE DRAWING.

CRITICAL DIMENSIONS WHICH MUST BE UNDER CAPABILITY

SAFETY RISKS

— : VISIBLE SURFACES

DRAFT ANGLES (NOT SHOWN): 0°/000°

THEORETICAL FLAT AREA

DEVELOPED FLAT AREA

GENERAL TOLERANCES

ANGLES : ±°

LENGTHS AND DIAMETERS:

18-80 mm. : ±

>80 mm. : ±

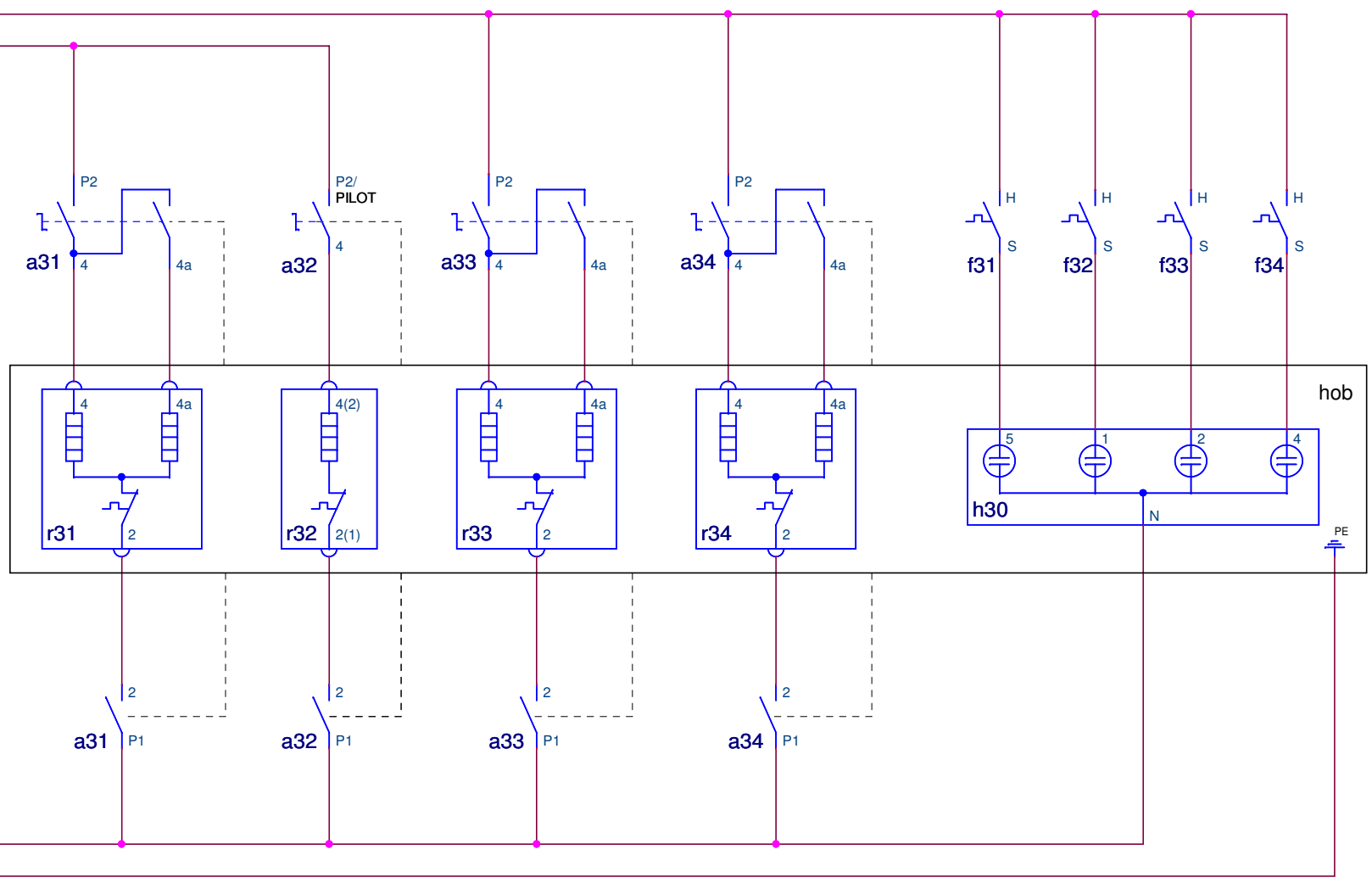
A4

X1/2

X1/3

X1/4

X1/PE



DESIGN		OWNER	DRN	CHD	DATE	DESIGN	USERS	EUROPEAN METHOD	
DGT		PD_HEO		Renner	22-01-2007	-	-		
APPR				Renner					
MODIFICATIONS							SIGNATURE	REQUEST	DATE
ZUST									
B correct mainconnection							Renner	DGT 51659	25-06-2007
A new drawing created							Renner	DGT 29786	22-01-2007
TITLE							circuit diagram hob control		
TITEL							Schaltplan Muldenansteuerung		
NUMBER							387 0932	SHEET	01 (01)
REV							B		

