

THE ITEMS SHOWN IN THIS DRAWING MUST NOT CONTAIN FORMALDEHYDE, CADMIUM, MERCURY, ASBESTOS OR PBB/PBDO.

THIS DRAWING CONTAINS CONFIDENTIAL INFORMATION. IT'S PROPERTY OF ELECTROLUX. WITHOUT EXPRESS PERMISSION IT MAY NOT BE COPIED, SHOWN OR HANDED TO A THIRD PARTY OR OTHERWISE USED, AND IT IS TO BE RETURNED PROMPTLY UPON REQUEST TO ELECTROLUX WHICH IS RESPONSIBLE FOR THE DRAWING.

CRITICAL DIMENSIONS WHICH MUST BE UNDER CAPABILITY [2] MUST BE UNDER CAPABILITY [2]

**SAFETY RISKS**

VISIBLE SURFACES

DRAFT ANGLES (NOT SHOWN): 07°/00'00"

THEORETICAL FLAT AREA

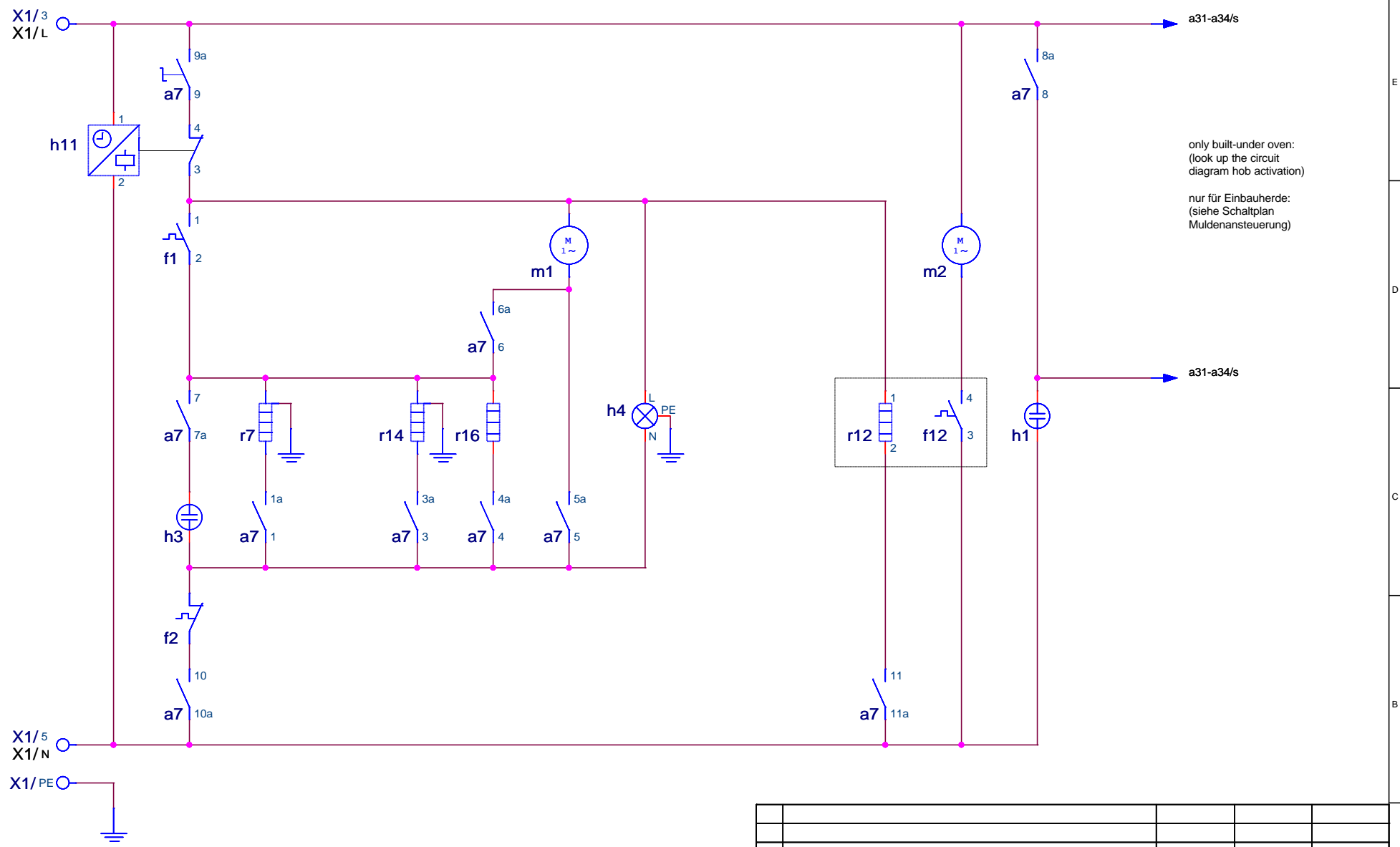
DEVELOPED FLAT AREA

GENERAL TOLERANCES

ANGLES : 30°

LENGTHS AND DIAMETERS : <18 mm : ±0.10 mm ; 18-80 mm : ±0.15 mm ; >80 mm : ±0.20 mm

A4



A				new drawing created		Renner		DGT 27548		2005-03-01			
ZUST				MODIFICATIONS				SIGNATURE		REQUEST		DATE	
DESIGN	OWNER	DRN	CHD	DATE	DESIGN	USERS					EUROPEAN METHOD		
DGT		DGR-PE_PD	Renner APPR Renner	2005-03-01	-	-							
<b>Electrolux</b>						TITLE circuit diagram oven							
						TITEL Schaltplan Herd							
						NUMBER 387 0917		SHEET 01(01)		REV A			