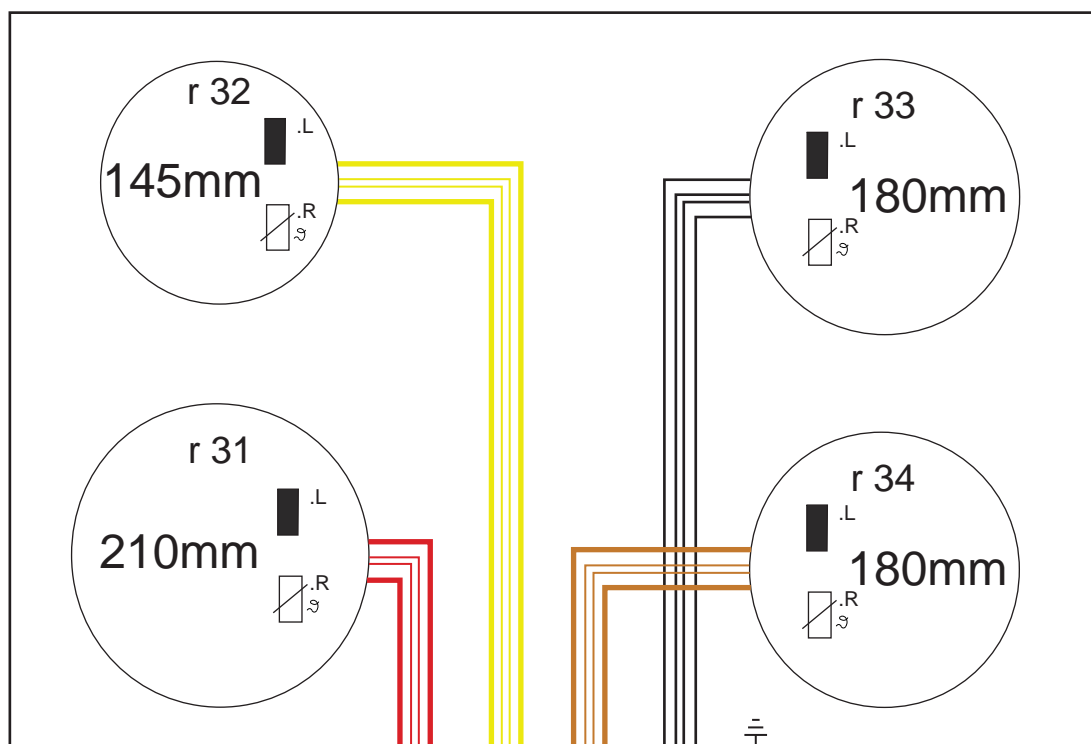
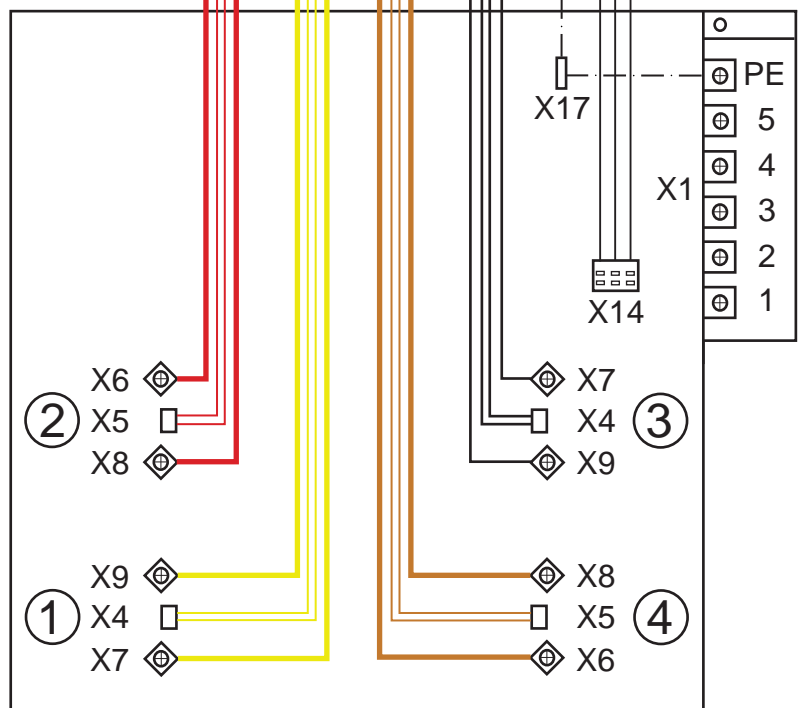
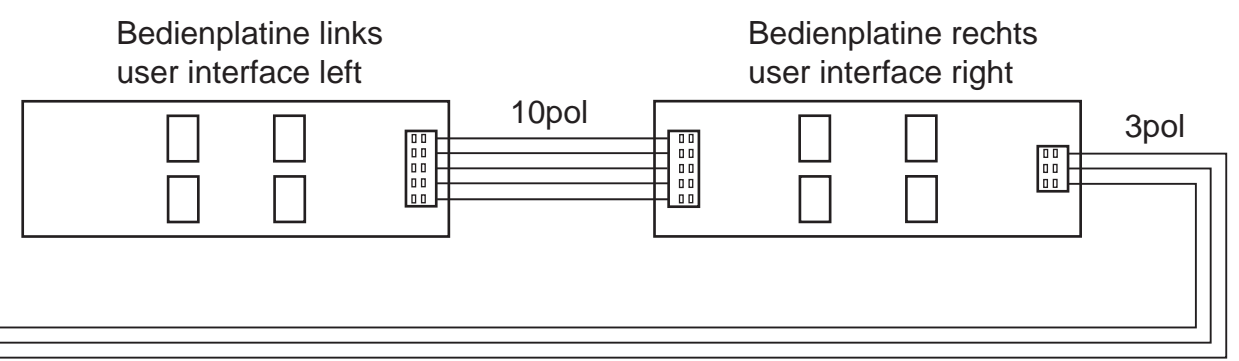


Ansicht von oben!



Steuerleitung / control line		(separate Lieferung)
Kontaktfolge / contact	Sachnummer / article number code	
filter board/X14 - user interface right	330 637 401	
user interface right - user interface left	330 473 701	



Bezeichnung	designation	Elux Sachnummer	Elux part no
Liste Anschlagteile	list of crimp contacts	330 1766 00	
Betriebsmittelliste	list of components	330 2222 00	
Liste Einzellitzen	list of single wires	330 5347 00	
Anschlußbezeichnungen	Port identification	330 6406 00	
Leitungsmaterial	wire material	330 5273 00 / 330 5274 00	

A	first edition	Weiß	DGT26149	2005-03-21
POS.	MODIFICATIONS		SIGNATURE	DATE
MATERIAL	MODEL	SCALE	EUROPEAN METHOD	
TREATMENT	WEIGHT	DESIGN USERS	REPLACES	
DESIGN OWNER	pd_hot kitchen high	CHD Weiß	DERIVED FROM	
DGT	DATE 2005-03-21	APPR Weiß	SUPPLY SPECIFICATIONS	
TITLE		wiring hob cpl.		
TITLE		Verdrahtung Mulde kpl.		
NUMBER		387 0607		REV A
				1/1

This drawing contains confidential information and is the property of Electrolux, without whose permission it may not be copied, shown or handed to a third party or otherwise used and it is to be returned promptly upon request to the design owner, who is responsible for the drawing.

Items shown in this drawing must not contain substances that are banned according to Directive, 2002/95/EC, the RoHS Directive (Lead, Cadmium, Mercury, hexavalent Chromium, PBB and PBDE), or substances classified as "Banned" or "Restricted" according to the Electrolux Restricted Materials List.

GENERAL TOLERANCES
ANGLES
LENGTHS AND DIAMETERS

387 0607 00			wiring hob cpl. independent, touch induction G4 (split)
VARIANT NUMBER	REPLACED NUMBER	POS.	CHANGES FROM THE BASE NUMBER