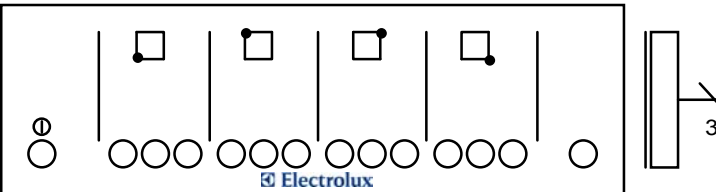
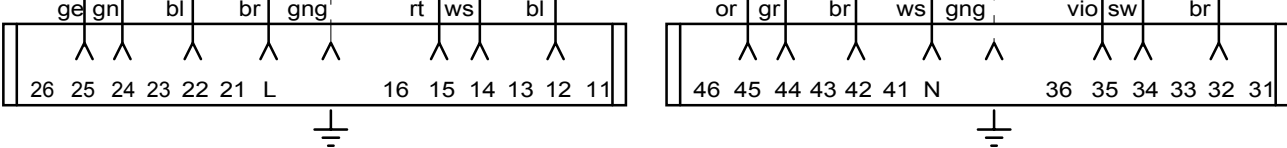
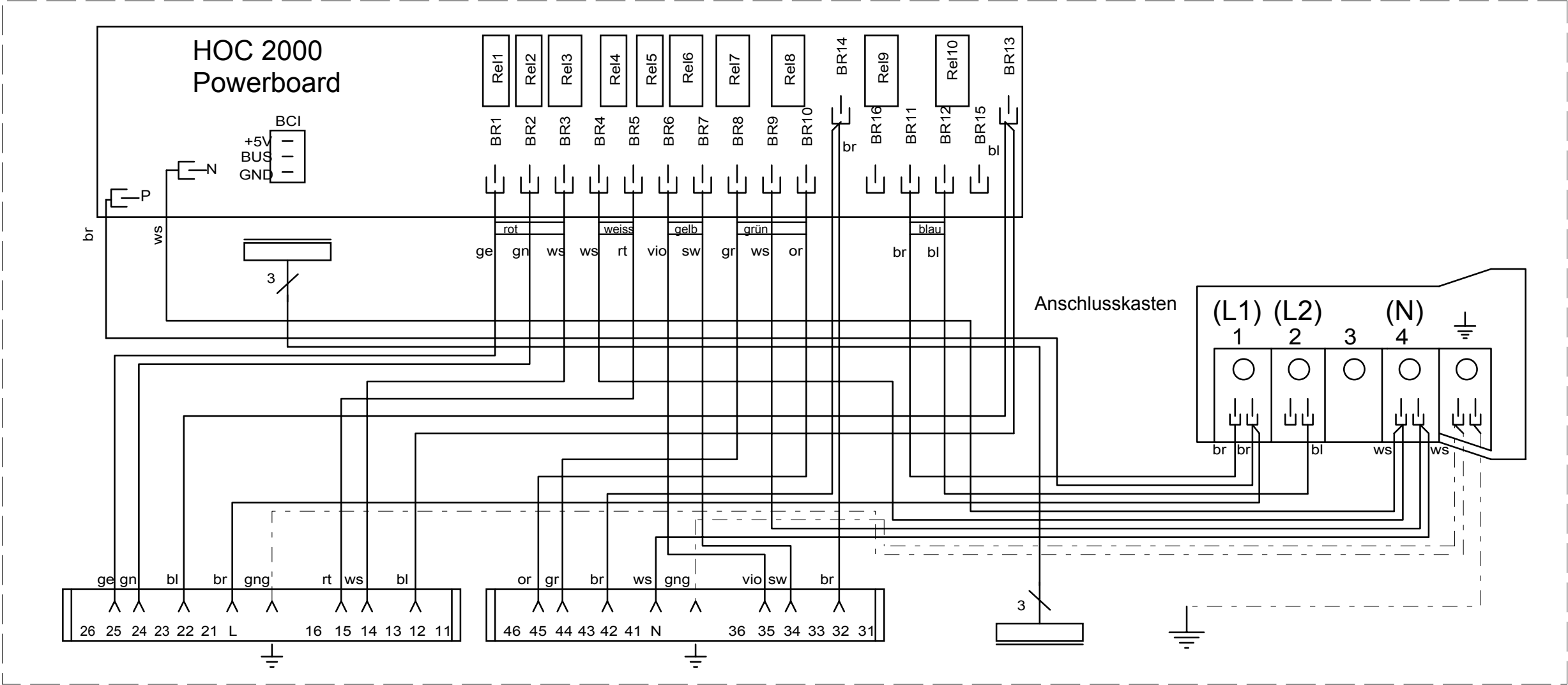
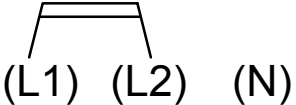


Powerbox

L1 und L2 können verbunden werden!



Centronica User Interface

1	No	New Edition	S.Sirna	20.06.03
POS	ZUST	MODIFICATIONS	SIGNATURE	REQUEST
MATERIAL		MODEL	SCALE	
TREATMENT		WEIGHT	DESIGN	USERS
DESIGN		OWNER	DRN	S.Sirna
SC		APPR	DATE	08.02.03
TITLE		Centronica Powerbox		
NUMBER		230V		
374 3876 01		SHEET	01(01)	REV
		A		

