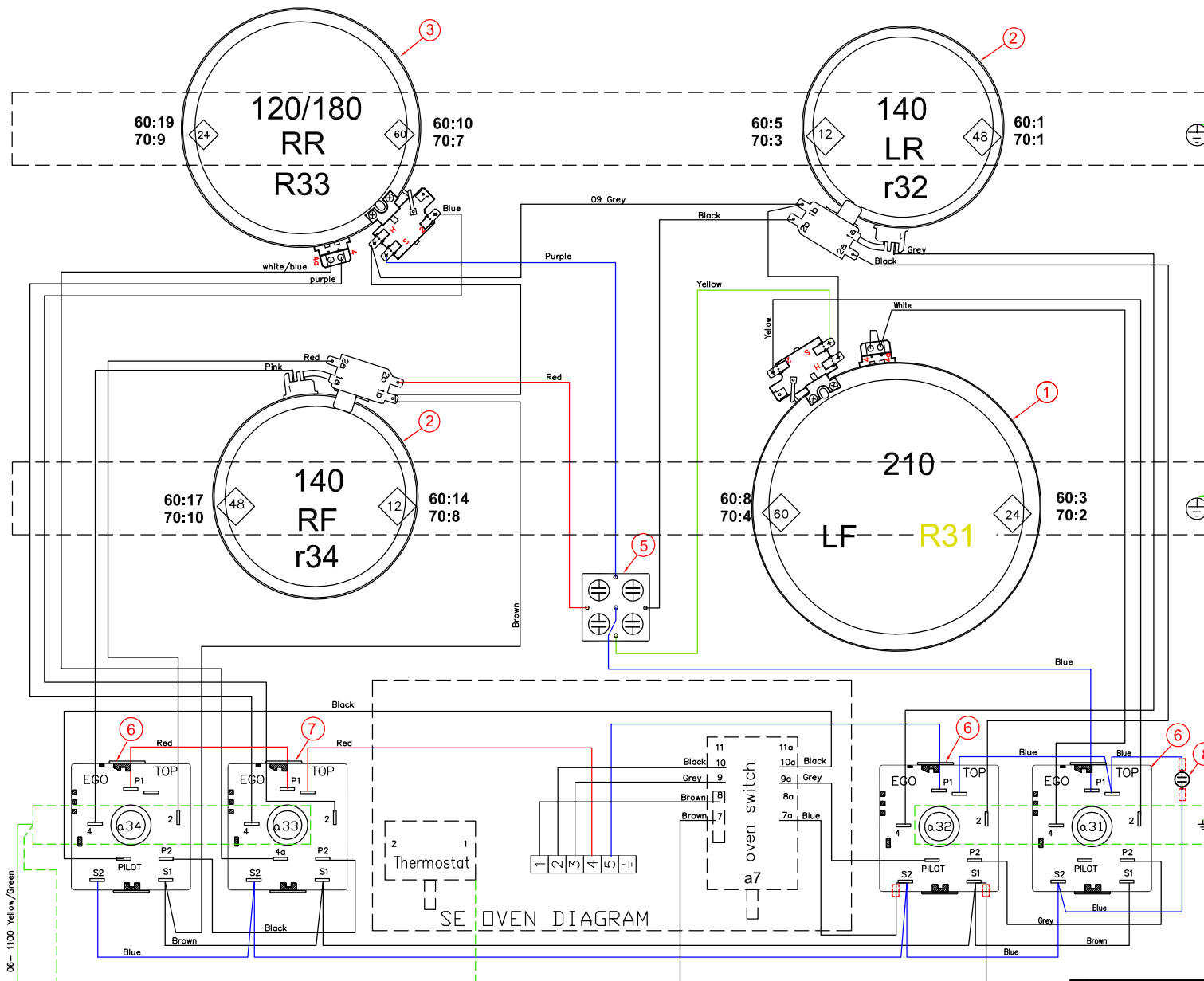
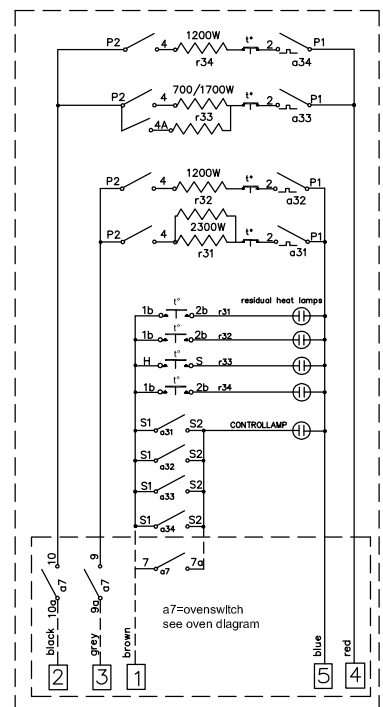


This drawing contains confidential information and is the property of Electrolux, without whose permission it shall not be reproduced, stored in a retrieval system or otherwise used and it is to be returned promptly upon request to the design owner, who is responsible for the drawing.

Items shown in this drawing must not contain substances that are banned according to Directive 2002/95/EC, the RoHS Directive, or Directive 2006/66/EC, the Battery Directive. The RoHS and Banned Substances List (BSL) are available on the Electrolux website. For more information, please contact your local sales office or the "Banned" or "Restricted" according to the Electrolux Restricted Materials List.



HOLE NUMBER	MOUNTING HOLES FOR HOTPLATES/CROSSBAR
XX	



POS	QTY	DESCRIPTION
8	1	INDICATING LAMP COOKER, 400V
7	1	ENERGY REG. DOUBLE ZONE, 400V
6	3	ENERGY REG. SINGLE ZONE, 400V
5	1	RESIDUAL HEAT INDICATOR, 4-RL, 400V
4	1	RESIDUAL HEAT INDICATOR, 4-RL, 400V
3	1	HEATER/ZONE 120/180 700/1700W, 400V, EGO
2	2	RADIANT HEATER/ZONE 140 1200W, 400V, E1KA
1	1	HEATER/ZONE 210 2300W, 400V, E1KA

ID	DESCRIPTION	ELUX PART NO.
	Hob wiring cpl.	349 4990 05
	INSULATION HOUSING	
	LIST OF CRIMP CONTACTS	330 1766
	Component list	330 2222

FRONT SEEN FROM BOTTOM
HC60:6/HC70:6, 400V, SIR

349 5001-01					
VARIANT NUMBER	REPLACED NUMBER	POS.	MODEL	DESIGN USERS	CHANGES FROM THE BASE NUMBER

A First edition		S.A.H	ABS 1428	2005-10-04
POS	MODIFICATIONS	SIGNATURE	REQUEST	DATE
MATERIAL	SCALE	DESIGN USERS	REPLACES	EUROPEAN METHOD
TREATMENT	WEIGHT	DESIGN USERS	DERIVED FROM	
DESIGN OWNER	DATE	DATE	TITLE	
DRN S.A.H	2005-10-04	APR S.A.H	Wirina diagram hob	
				NUMBER 349 5001 SHEET A