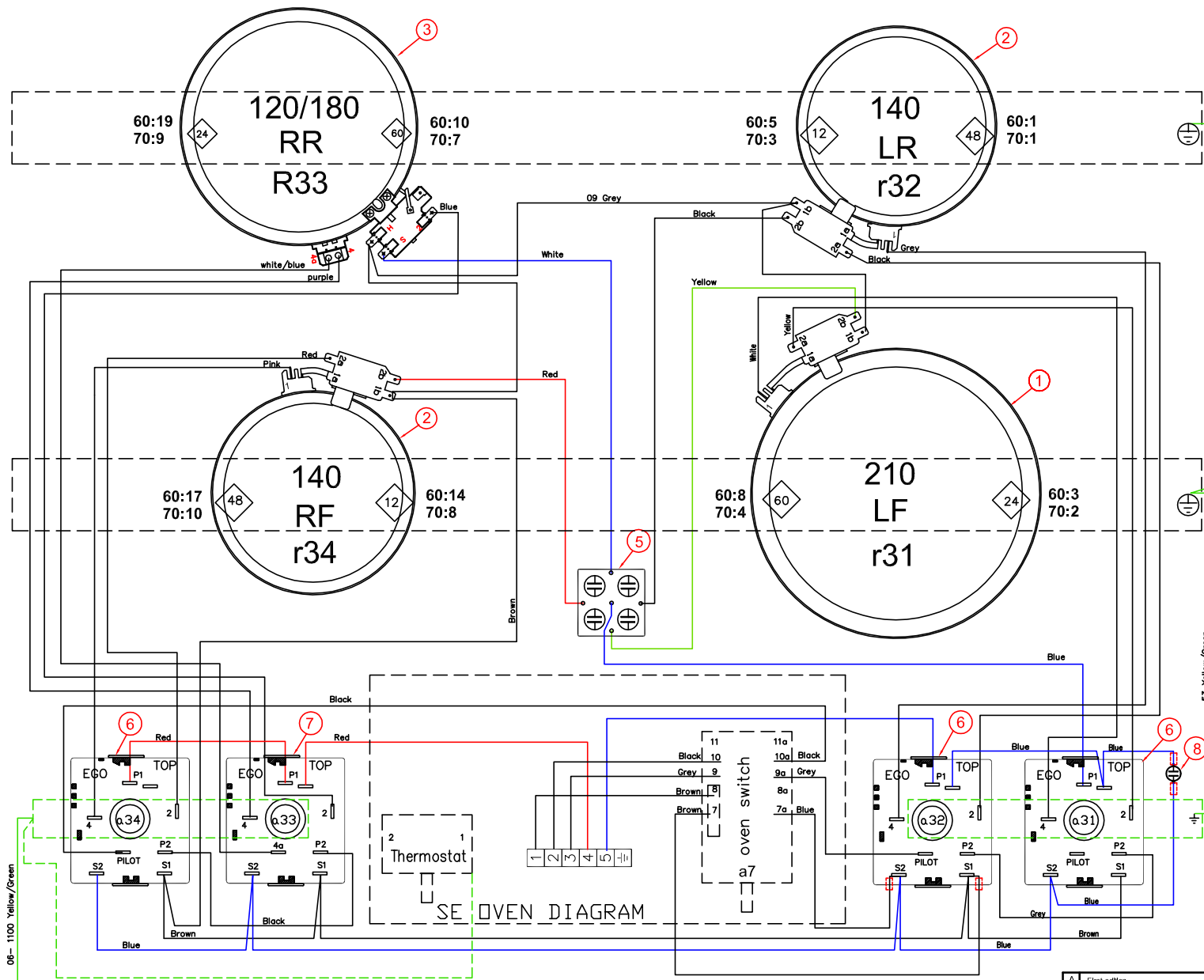
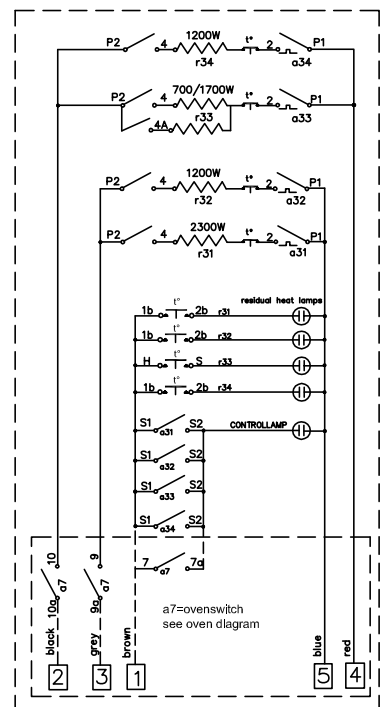


This drawing contains confidential information and is the property of Electrolux, without whose permission it shall not be reproduced, stored in a retrieval system or otherwise used and it is to be returned immediately upon request to the design owner, who is responsible for the drawing.

Items shown in this drawing must not contain substances that are banned according to Directive 2002/95/EC, and the RoHS (Restriction of Hazardous Substances) Directive 2002/95/EC. The RoHS list is available on the Electrolux website at www.electrolux.com. The RoHS list is also available in the "RoHS" or "Restrictive" according to the Electrolux Restricted Materials List.



HOLE NUMBER	MOUNTING HOLES FOR HOTPLATES/CROSSBAR
XX	



POS	QTY	DESCRIPTION
8	1	INDICATING LAMP COOKER, 400V
7	1	ENERGY REG. DOUBLE ZONE, 400V
6	3	ENERGY REG. SINGLE ZONE, 400V
5	1	REST/HEAT INDICATOR 4-RL, 400V
4	1	PILOT LAMP, 400V
3	1	HEATER/ZONE 120/180 700/1700W, 400V, ETK
2	2	RADIANT HEATER/ZONE 140 1200W, 400V, ETK
1	1	HEATER/ZONE 210 2300W, 400V, ETK

ID	DESCRIPTION	ELUX PART NO.
	Hob wiring cpl.	349 4407 05
	INSULATION HOUSING	
	LIST OF CRIMP CONTACTS	330 1766
	Component list	330 2222

FRONT SEEN FROM BOTTOM
HC60:6/HC70:6, 400V, SIR

349 4906-01									
VARIANT NUMBER	REPLACED NUMBER	POS.	MODEL	DESIGN USERS	CHANGES FROM THE BASE NUMBER				

A First edition		S.A.H	ABS 865	2005-06-15
POS	MODIFICATIONS	SIGNATURE	REQUEST	DATE
MATERIAL	SCALE	DESIGN USERS	REPLACES	EUROPEAN METHOD
FRONT VIEW	WEIGHT	DERIVED FROM	SUPPLY SPECIFICATIONS	
DESIGN OWNER	DATE 2005-06-15	DATE 2005-06-15	TITLE	Wiring diagram hob
Electrolux		NUMBER	349 4906	REV A