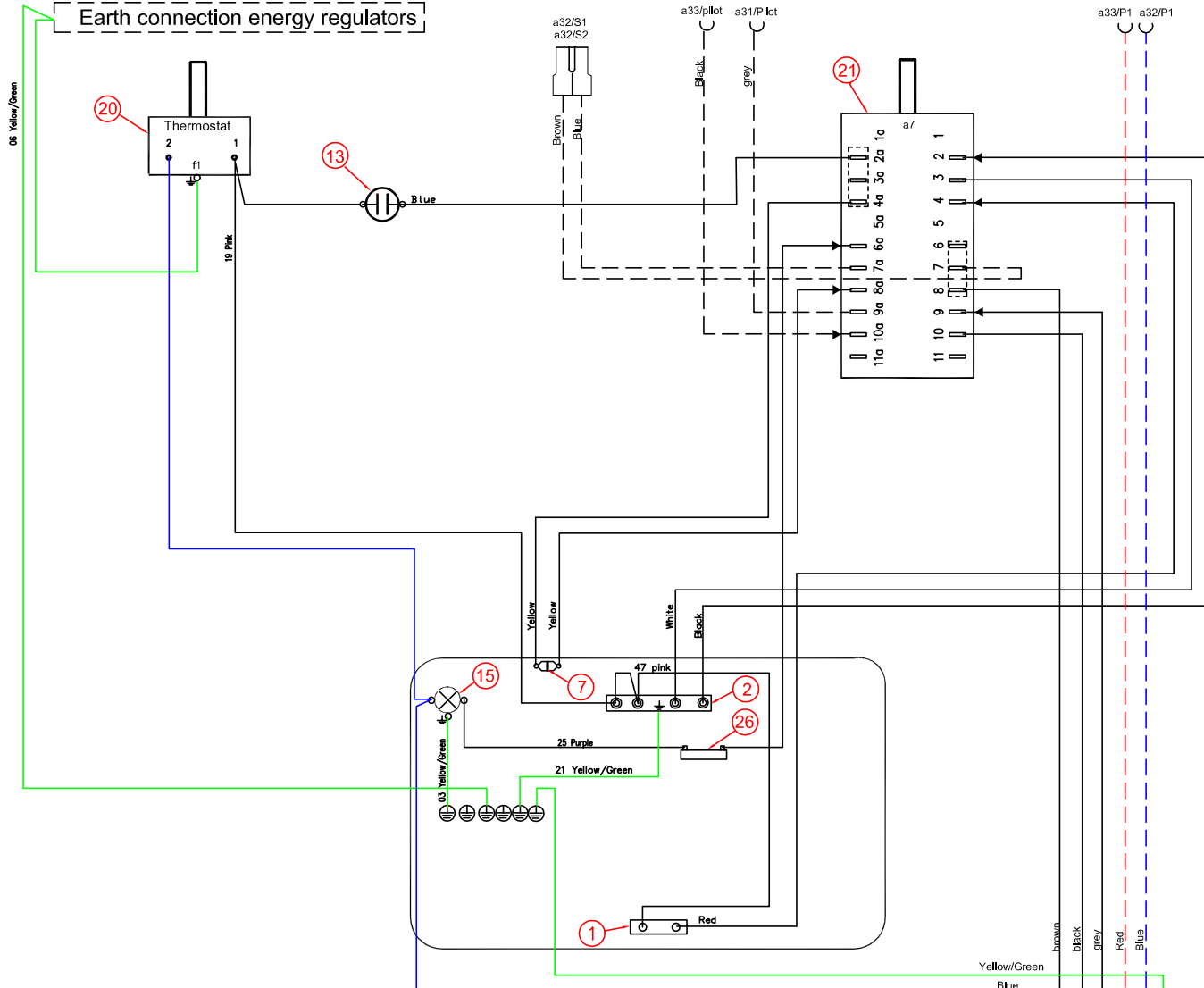


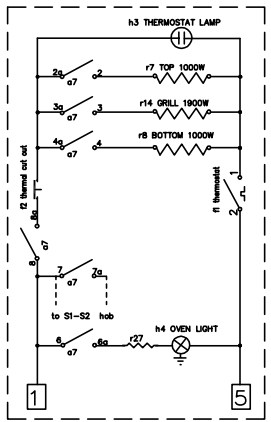
This drawing contains confidential information and is the property of Electrolux, without whose permission it shall not be reproduced, stored in a retrieval system or otherwise used and it is to be returned immediately upon request to the design owner, who is responsible for the drawing.

Items shown in this drawing must not contain substances that are banned according to Directive 2002/95/EC, the RoHS Directive. Design, Development, Research, Innovation and Production shall ensure that the components, materials and substances used in the design are RoHS compliant. The design owner shall ensure that the components, materials and substances used in the design are RoHS compliant. The design owner shall ensure that the components, materials and substances used in the design are RoHS compliant.

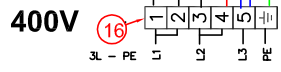
Earth connection energy regulators



POS/No	Components
27	
26	1 Resistor rear oven lamp 40V
25	
24	
23	
22	
21	1 Main switch/ oven function
20	1 THERMOSTAT
19	
18	
17	
16	1 TERMINAL STRIP 6 PINS, SNAP
15	1 OVEN LAMP TOP
14	
13	1 CONTROL LAMP
12	
11	
10	
9	
8	
7	1 THERMAL CUT OUT
6	
5	
4	
3	
2	1 HEATINGELE, TOP 1000/1900W
1	1 HEATINGELE, LOWER 1000W



ID	DESCRIPTION	ELUX PART NO.
	Oven selector wiring	349 4247
	INSULATION HOUSING	
	LIST OF CRIMP CONTACTS	330 1766
	Component list	330 2222



VARIANT NUMBER	REPLACED NUMBER	POS	MODEL	DESIGN USERS	CHANGES FROM THE BASE NUMBER
349 4880-02	ABS 6160				

C		First edition		S, A/H	ABS 733	2005.05.13
POS	MODIFICATIONS	SIGNATURE	REQUEST	DATE		
MATERIAL	WEIGHT	DESIGN USERS	REPLACES	EUROPEAN METHOD		
FRONTMENT	WEIGHT	DESIGN USERS	DERIVED FROM	SUPPLY SPECIFICATIONS		
DESIGN OWNER	DRN	S, A/H	CP	S, A/H	DR	MM
DATE	2005-05-13	APP	S, A/H	REVIEWER	REVIEWER	REVIEWER
TITLE: Wiring oven assembly						
Electrolux			NUMBER: 349 4880			
						REV: A
						SHEET