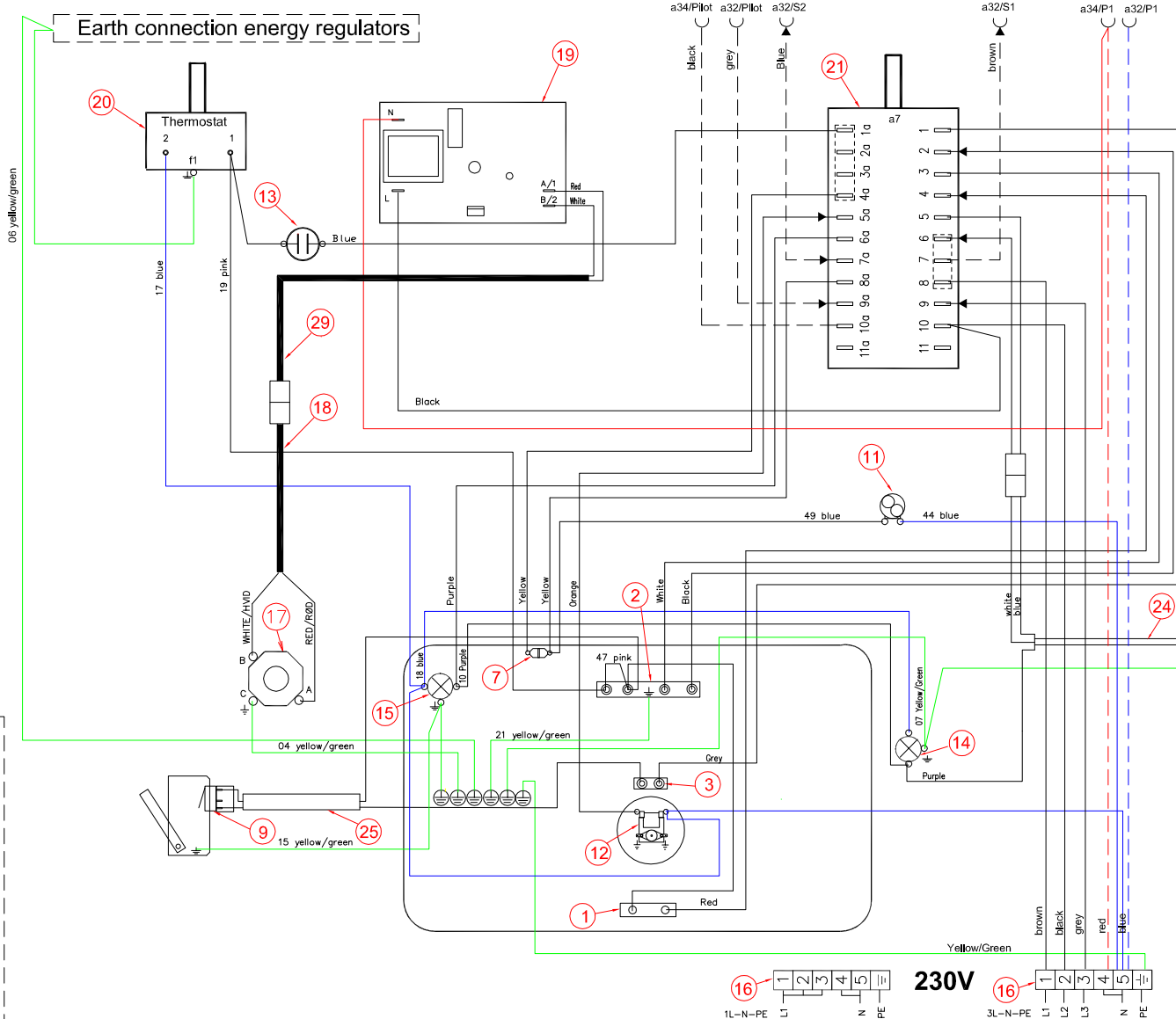
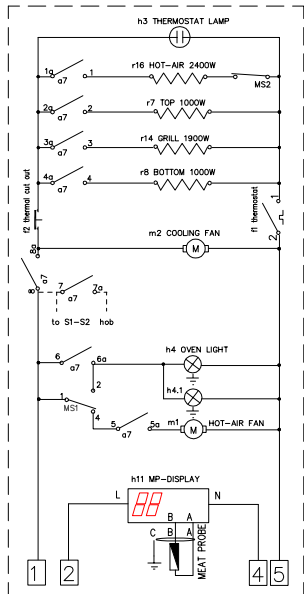


This drawing contains confidential information and it may not be copied, shown or handed to a third party or otherwise used and it is to be returned promptly to the design owner, who is responsible for the drawing.

Items shown in this drawing must not contain substances listed in Annex II of the RoHS Directive (Lead, Cadmium, Mercury, Hexavalent Chromium, PBB and PBDE), or substances classified as "Banned" or "Restricted" according to the Electrolux Restricted Substances List.



29	1	Wireset MP timer
28	-	-
27	-	-
26	-	-
25	1	WIRESSET DOORSWITCH hot air element
24	1	WIRESSET DOORSWITCH
23	-	-
22	-	-
21	1	Main switch/ oven function
20	1	THERMOSTAT
19	1	MEATPROBE DISPLAY
18	1	Wireset MP socket
17	1	JACK PLUG
16	1	TERMINAL STRIP 6 POLS SNAP
15	1	OVENLAMP TOP
14	1	OVEN LAMP SIDE
13	1	THERMOSTAT LAMP
12	1	FANMOTOR HOTAIROVEN
11	1	COOLING FAN
10	-	-
9	2	MICROSWITCH FAN/LIGHT
8	-	-
7	1	THERMAL CUT OUT
6	-	-
5	-	-
4	-	-
3	1	HEATINGELE HOTAIR 2400W
2	1	HEATINGELE TOP 1000/1900W
1	1	HEATINGELE LOWER 1000W
POS/ANT	GENSTAND	

ID	DESCRIPTION	ELUX PART NO.
	Oven selector wiring	349 4179
	INSULATION HOUSING	
	LIST OF CRIMP CONTACTS	330 1766
	Component list	330 2222

349 4178-02	ABS 6113	POS	MODEL	DESIGN USERS	CHANGES FROM THE BASE NUMBER
VARIANT NUMBER	REPLACED NUMBER				

D New wire X1/4-a34/P1-f11/N		IAN	ABS 1952	2005.11.18
C Updated		S,AhI	ABS 421	2005.01.20
POS	MODIFICATIONS	SIGNATURE	REQUEST	DATE
MATERIAL	WEIGHT	DESIGN USERS	REPLACES	EUROPEAN METHOD
TREATMENT		DERIVED FROM	SUPPLY SPECIFICATIONS	
DESIGN OWNER	DRN S,AhI	OP S,AhI	3D ONLY	X
DATE	2004-10-20	APP S,AhI	CONCEPT 3D	
			EXACT 3D	
TITLE		Wiring oven assembly		
<b>Electrolux</b>		NUMBER	<b>349 4178</b>	
		REV	D	
		SHEET		