

THE ITEMS SHOWN IN THIS DRAWING MUST NOT BE USED IN ANY OF THE FOLLOWING COUNTRIES: CANADA, CHINA, COLOMBIA, CUBA, GERMANY, HONG KONG, INDIA, ITALY, JAPAN, KOREA, MALAYSIA, MEXICO, POLAND, SOUTH AFRICA, SOUTH KOREA, TAIWAN, THAILAND, UNITED STATES OF AMERICA, VIETNAM.

THIS DRAWING CONTAINS CONFIDENTIAL INFORMATION. IT IS PROPERTY OF ELECTROLUX. IT MUST BE KEPT CONFIDENTIAL AND NOT DISCLOSED TO A THIRD PARTY OR OTHERWISE USED AND IT IS TO BE RETURNED PROMPTLY UPON REQUEST TO ELECTROLUX WHICH IS RESPONSIBLE FOR THE DRAWING.

CRITICAL DIMENSIONS WHICH MUST BE UNDER CAPABILITY

SAFETY RISKS

VISIBLE SURFACES

DRAFT ANGLES (NOT SHOWN): 00°00'00"

THEORETICAL FLAT AREA

DEVELOPED FLAT AREA

GENERAL TOLERANCES

ANGLES : °'

LENGTHS AND DIAMETERS : mm

mm

mm

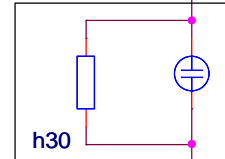
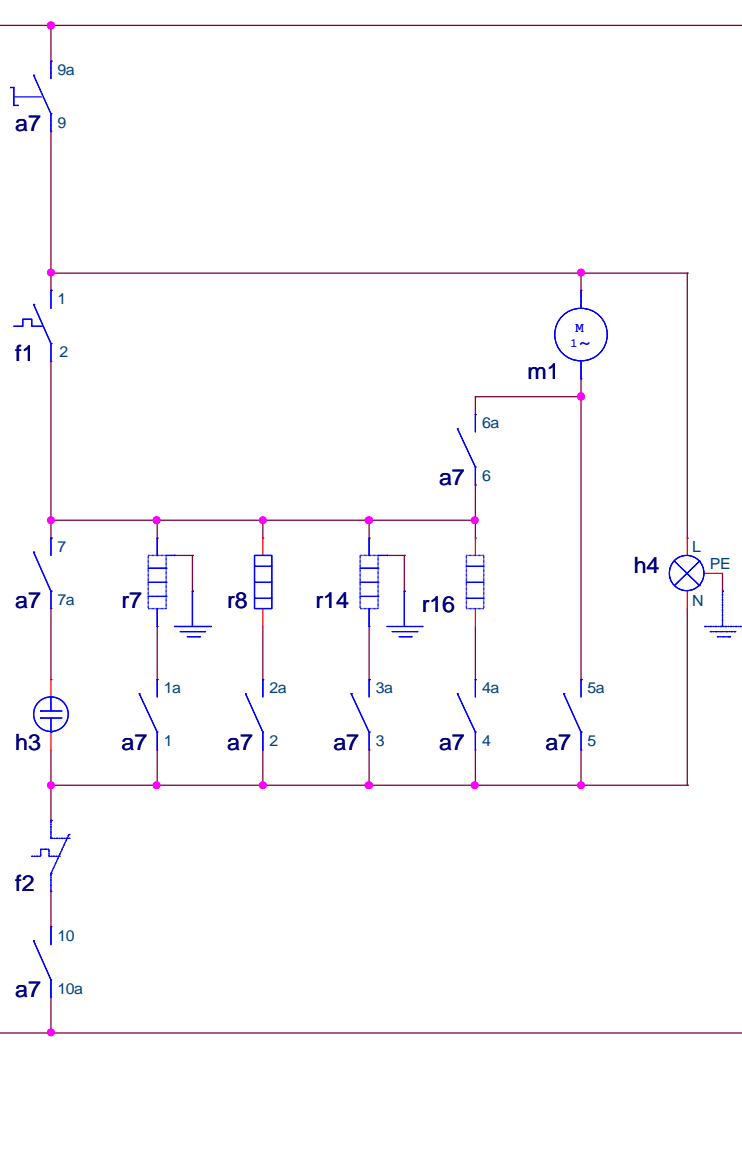
mm

A4

X1/ 3
X1/ L

X1/ 5
X1/ N

X1/ PE



only built-under oven:
(look up the circuit diagram hob activation)

nur für Einbauberde:
(siehe Schaltplan Muldensteuerung)

a31-a34/s

A				new drawing created		Renner		DGT 23541		2004-06-07			
ZUST				MODIFICATIONS				SIGNATURE		REQUEST		DATE	
DESIGN	OWNER	DRN	DRN	DATE	DESIGN	USERS					EUROPEAN METHOD		
DGT		DGR-PE_PD	Renner	2004-06-07	-	-							
						TITLE circuit diagram oven TITEL Schaltplan Herd							
						NUMBER 330 7261		SHEET 01(01)		REV A			