

THE TERMS SHOWN IN THIS DRAWING MUST NOT BE USED FOR THE PURCHASE OF COOKWARE FOR CHINA, CUPRO-NICKEL, CADMIUM, MERCURY, ASBESTOS OR PBB/PBDO.

THIS DRAWING CONTAINS CONFIDENTIAL INFORMATION. IT IS PROPERTY OF ELECTROLUX AND NOT TO BE REPRODUCED, COPIED, DISSEMINATED TO A THIRD PARTY OR OTHERWISE USED AND IT IS TO BE RETURNED PROMPTLY UPON REQUEST TO ELECTROLUX WHICH IS RESPONSIBLE FOR THE DRAWING.

CRITICAL DIMENSIONS WHICH MUST BE UNDER CAPABILITY

**SAFETY RISKS**

VISIBLE SURFACES

DRAFT ANGLES (NOT SHOWN): 00°00'00"

THEORETICAL FLAT AREA

DEVELOPED FLAT AREA

GENERAL TOLERANCES

ANGLES : 0°

LENGTHS AND DIAMETERS:

1-8 mm. : ± 0.1 mm.

9-30 mm. : ± 0.2 mm.

31-50 mm. : ± 0.3 mm.

51-120 mm. : ± 0.4 mm.

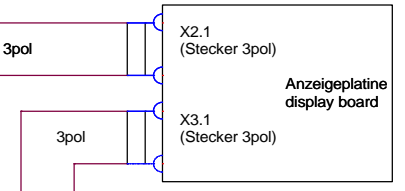
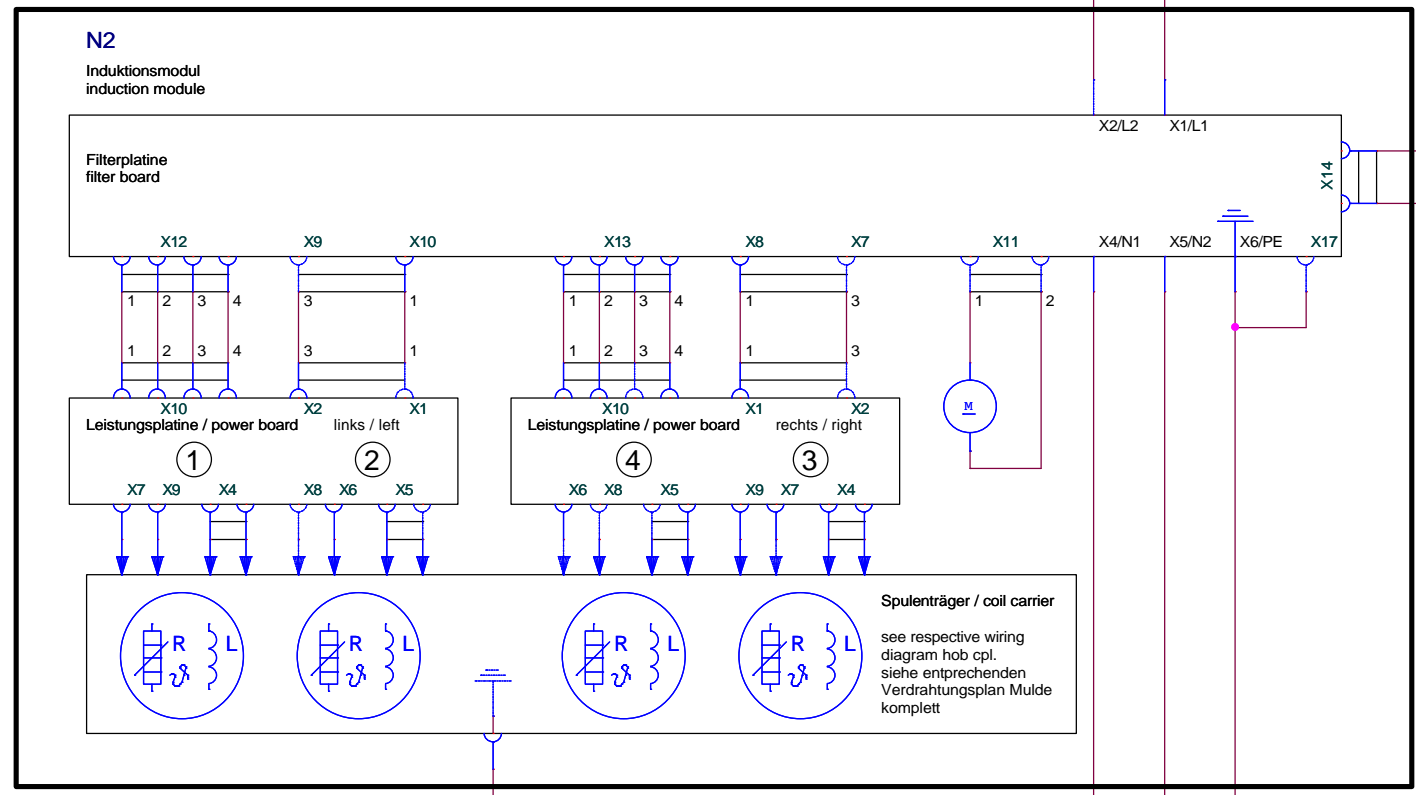
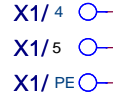
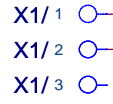
121-200 mm. : ± 0.5 mm.

201-300 mm. : ± 0.6 mm.

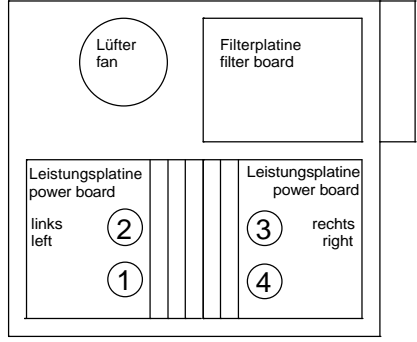
301-500 mm. : ± 0.8 mm.

501-1000 mm. : ± 1.0 mm.

A4



zum Anschlußgehäuse  
to the casing



A		First Edition		WeiB	DGT23593	2004-08-27		
ZUST	MODIFICATIONS					SIGNATURE	REQUEST	DATE
DESIGN	OWNER	DRN	GRD	DATE	DESIGN	USERS	EUROPEAN METHOD	
DGT	DGR-PE_PD		WeiB	2004-08-27	-	-	☐	
Electrolux					TITLE			
					circuit diagram induction G4			
					Schaltplan Induktion G4			
					NUMBER	SHEET	REV	
					330 7158	01(01)	A	