

THE TERMS SHOWN IN THIS DRAWING MUST NOT BE USED TO IDENTIFY OR DESCRIBE PRODUCTS OR SERVICES OF ELECTROLUX OR ANY OF ITS AFFILIATED COMPANIES. ELECTROLUX, THE ELECTROLUX LOGO AND THE "E" MARK ARE TRADEMARKS OF ELECTROLUX. ELECTROLUX, THE ELECTROLUX LOGO AND THE "E" MARK ARE TRADEMARKS OF ELECTROLUX. ELECTROLUX, THE ELECTROLUX LOGO AND THE "E" MARK ARE TRADEMARKS OF ELECTROLUX.

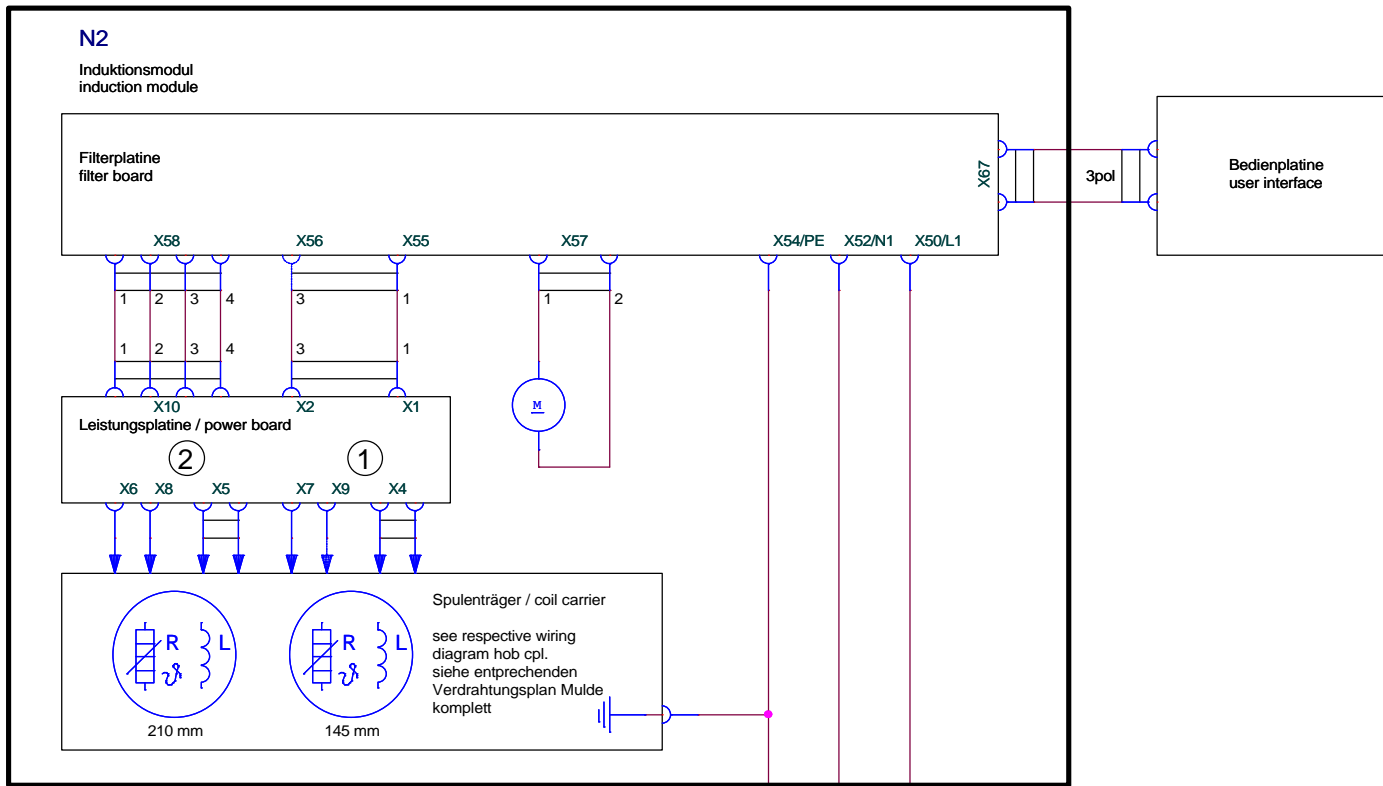
THIS DRAWING CONTAINS CONFIDENTIAL INFORMATION. IT IS THE PROPERTY OF ELECTROLUX AND NOT TO BE DISCLOSED TO ANY OTHER PARTY OR TO BE REPRODUCED IN ANY MANNER WITHOUT THE WRITTEN PERMISSION OF ELECTROLUX. ELECTROLUX, THE ELECTROLUX LOGO AND THE "E" MARK ARE TRADEMARKS OF ELECTROLUX.

CRITICAL DIMENSIONS WHICH MUST BE UNDER CAPABILITY [2] SAFETY RISKS VISIBLE SURFACES DRAFT ANGLES (NOT SHOWN): 00°/00'00"

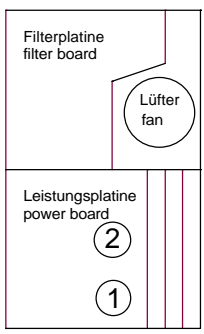
THEORETICAL FLAT AREA DEVELOPED FLAT AREA

GENERAL TOLERANCES ANGLES : ±° LENGTHS AND DIAMETERS : ±0.1mm, ±0.2mm, ±0.3mm, ±0.4mm, ±0.5mm, ±0.6mm, ±0.7mm, ±0.8mm, ±0.9mm, ±1.0mm, ±1.2mm, ±1.5mm, ±2.0mm, ±2.5mm, ±3.0mm, ±3.5mm, ±4.0mm, ±4.5mm, ±5.0mm, ±6.0mm, ±7.0mm, ±8.0mm, ±9.0mm, ±10.0mm, ±12.0mm, ±15.0mm, ±20.0mm, ±25.0mm, ±30.0mm, ±40.0mm, ±50.0mm, ±60.0mm, ±70.0mm, ±80.0mm, ±90.0mm, ±100.0mm

A4



Netzanschlußleitung



A				First Edition	WeiB	DGT 23593	2004-08-09		
ZUST	MODIFICATIONS						SIGNATURE	REQUEST	DATE
DESIGN	OWNER	DRN	QTD	DATE	DESIGN	USERS	EUROPEAN METHOD		
DGT	DGR-PE_PD	WeiB	2004-08-09	<Dsn>	<Ustr>				
					TITLE circuit diagram induction G4 (Domino) TITEL Schaltplan Induktion G4 (Domino)				
NUMBER 330 7152					SHEET 01(01)		REV A		