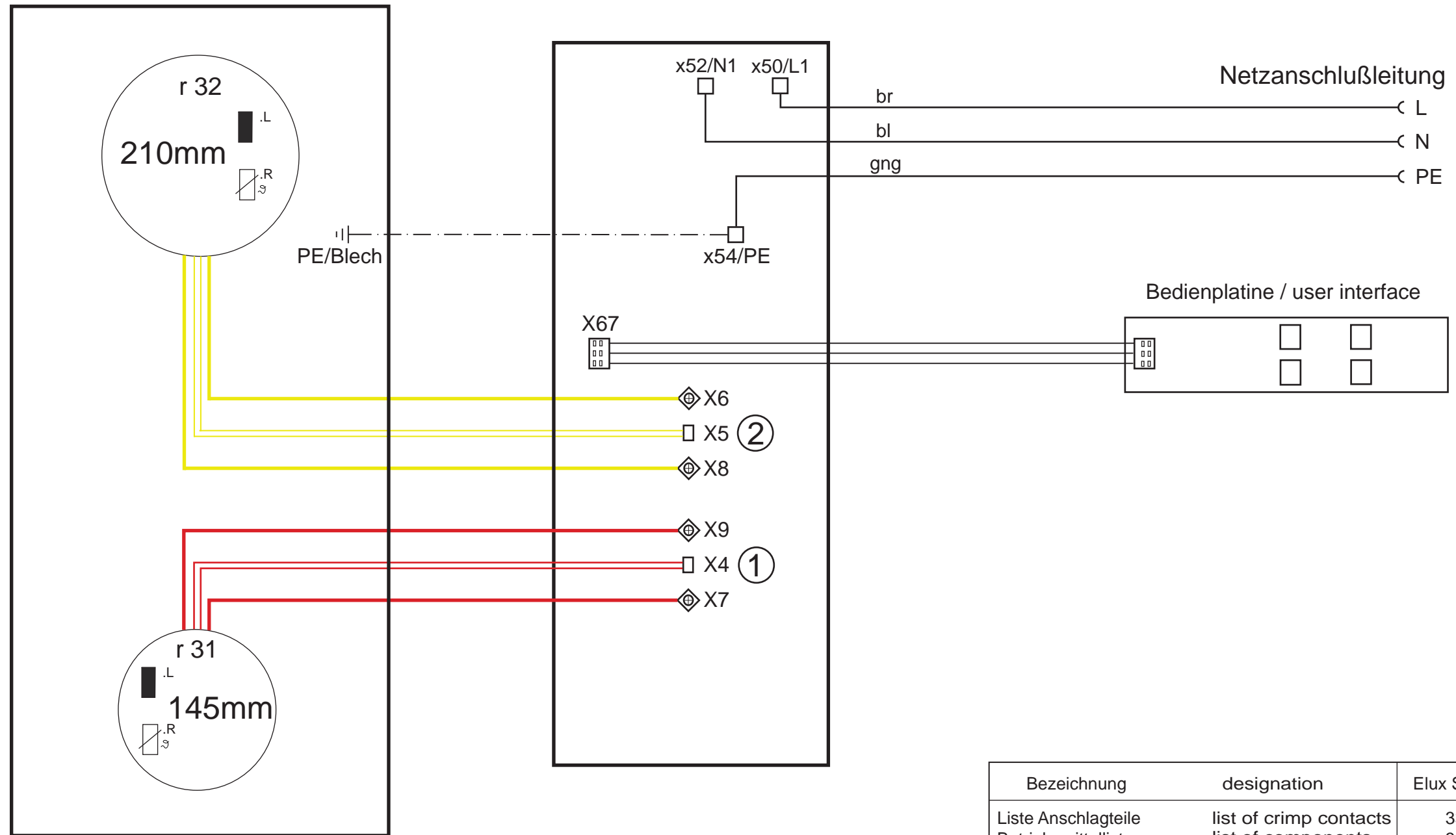


This drawing contains confidential information and is the property of Electrolux, without whose permission it may not be copied, shown or handed to a third party or otherwise used and it is to be returned promptly upon request to the design owner, who is responsible for the drawing.

Items shown in this drawing must not contain substances that are banned according to Directive, 2002/95/EC, the RoHS Directive (Lead, Cadmium, Mercury, hexavalent Chromium, PBB and PBDE), or substances classified as "Banned" or "Restricted" according to the Electrolux Restricted Materials List.

GENERAL TOLERANCES  
ANGLES  
LENGTHS AND DIAMETERS

# Ansicht von oben!



| Bezeichnung           | designation            | Elux Sachnummer           | Elux part no |
|-----------------------|------------------------|---------------------------|--------------|
| Liste Anschlagteile   | list of crimp contacts | 330 1766 00               |              |
| Betriebsmittelliste   | list of components     | 330 2222 00               |              |
| Liste Einzellitzen    | list of single wires   | 330 5347 00               |              |
| Anschlußbezeichnungen | Port identification    | 330 6406 00               |              |
| Leitungsmaterial      | wire material          | 330 5273 00 / 330 5274 00 |              |

| Pos | Kontaktfolge / contact | Auflösung / structure explanation | min Ø | colour | article number |
|-----|------------------------|-----------------------------------|-------|--------|----------------|
| 1   | X54/PE - PE/Blech      | 175 - 150 - 175                   | 1,5   | gng    | 330 5791 30    |

**Einzellitzen / single wires** (separate Lieferung)

| Kontaktfolge / contact        | Sachnummer / article number |
|-------------------------------|-----------------------------|
| filter board - user interface | 330 6374 01                 |

**Steuerleitung / control line** (separate Lieferung)

|              |                 |                        |                       |            |
|--------------|-----------------|------------------------|-----------------------|------------|
| A            | First edition   | Weiß                   | DGT23593              | 2004-08-09 |
| POS.         | MODIFICATIONS   | SIGNATURE              | REQUEST               | DATE       |
| MATERIAL     | MODEL           | SCALE                  | EUROPEAN METHOD       |            |
| TREATMENT    | WEIGHT          | DESIGN USERS           | REPLACES              |            |
| DESIGN OWNER | DATE            | APPR                   | DERIVED FROM          |            |
| DGT          | DATE 2004-08-09 | APPR Weiß              | SUPPLY SPECIFICATIONS |            |
| TITLE        |                 | wiring hob cpl.        |                       |            |
| TITLE        |                 | Verdrahtung Mulde kpl. |                       |            |
| NUMBER       |                 | 330 7151               |                       | REV A      |
|              |                 |                        |                       | 1/1        |



330 7151

|                |                 |      |                                       |
|----------------|-----------------|------|---------------------------------------|
| 330 7151 00    |                 |      | wiring hob cpl. induction G4 (Domino) |
| VARIANT NUMBER | REPLACED NUMBER | POS. | CHANGES FROM THE BASE NUMBER          |