

THE TERMS SHOWN IN THIS DRAWING MUST NOT CONTAIN FORMALDEHYDE, CADMIUM, MERCURY, ASBESTOS OR PBB/PBDO.

THIS DRAWING CONTAINS CONFIDENTIAL INFORMATION. IT'S PROPERTY OF ELECTROLUX. WITHOUT WRITTEN PERMISSION IT MAY NOT BE COPIED, SHOWN OR HANDED TO A THIRD PARTY OR OTHERWISE USED, AND IT IS TO BE RETURNED PROMPTLY UPON REQUEST TO ELECTROLUX WHICH IS RESPONSIBLE FOR THE DRAWING.

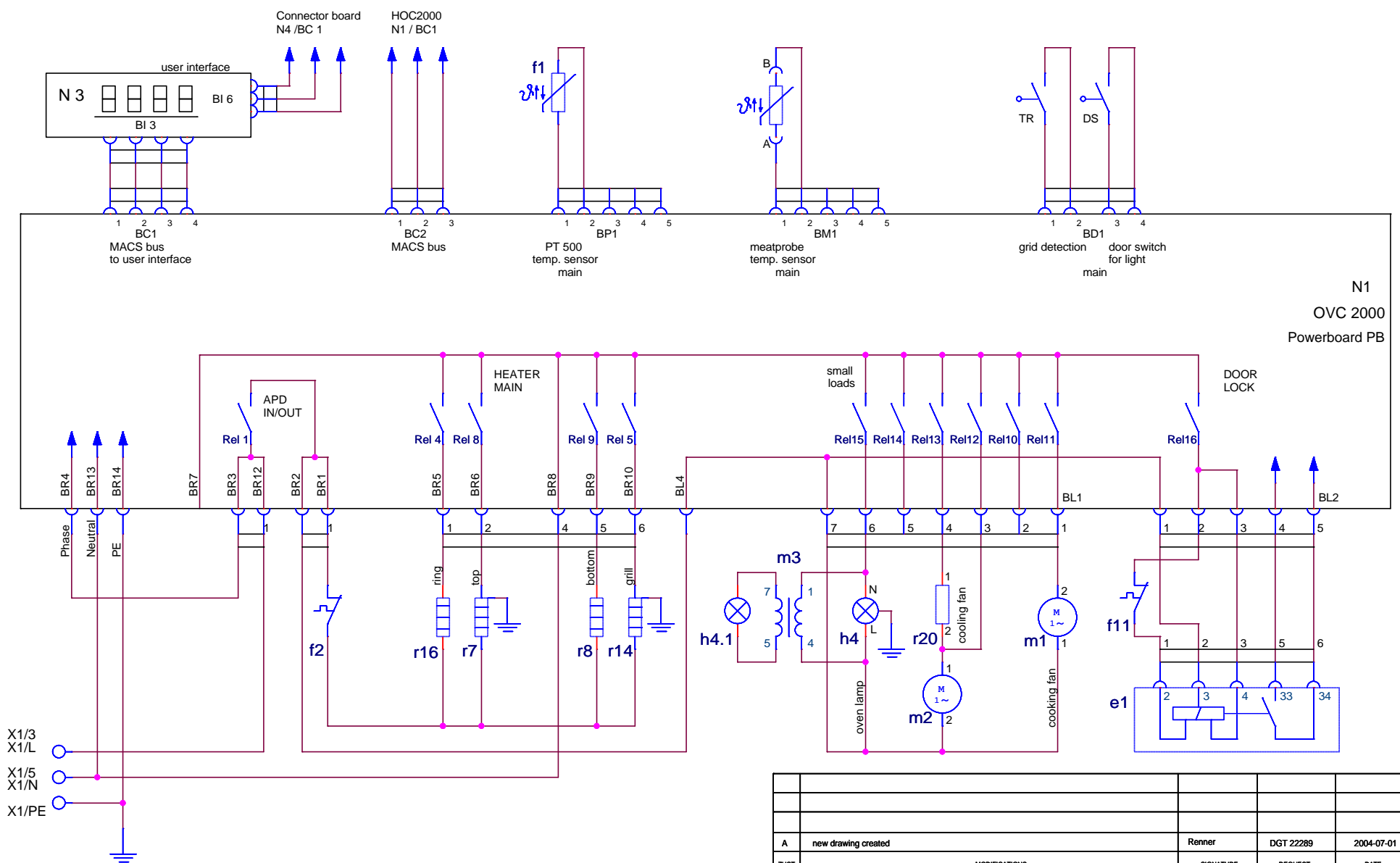
CRITICAL DIMENSIONS WHICH MUST BE UNDER CAPABILITY [2] SAFETY RISKS VISIBLE SURFACES DRAFT ANGLES (NOT SHOWN): 07°/00°/01°

THEORETICAL FLAT AREA DEVELOPED FLAT AREA

GENERAL TOLERANCES ANGLES : ±°° LENGTHS AND DIAMETERS : <18-30mm : ±0.10mm : >30mm : ±0.15mm

A4

only built-under oven:
(look up the circuit diagram hob activation)



N1
OVC 2000
Powerboard PB

DESIGN		OWNER	DRN	CHD	DATE	DESIGN	USERS	EUROPEAN METHOD	
DGT		DGR-PE_PD		Renner APPR Renner	2004-07-01	-	-		
A new drawing created						Renner	DGT 22289	2004-07-01	
ZUST MODIFICATIONS						SIGNATURE	REQUEST	DATE	
TITLE						circuit diagram oven			
TITEL						Schaltplan Herd			
NUMBER						330 6919	SHEET	REV	
						01(01)	A		

