

THE TERMS SHOWN IN THIS DRAWING MUST NOT CONTAIN FORMALDEHYDE, CADMIUM, MERCURY, ASBESTOS OR PBB/PBDO.

THIS DRAWING CONTAINS CONFIDENTIAL INFORMATION. IT'S PROPERTY OF ELECTROLUX. WITHOUT WRITTEN PERMISSION IT MAY NOT BE COPIED, SHOWN OR HANDED TO A THIRD PARTY OR OTHERWISE USED, AND IT IS TO BE RETURNED PROMPTLY UPON REQUEST TO ELECTROLUX WHICH IS RESPONSIBLE FOR THE DRAWING.

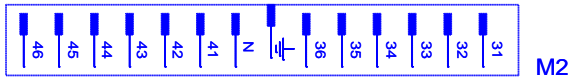
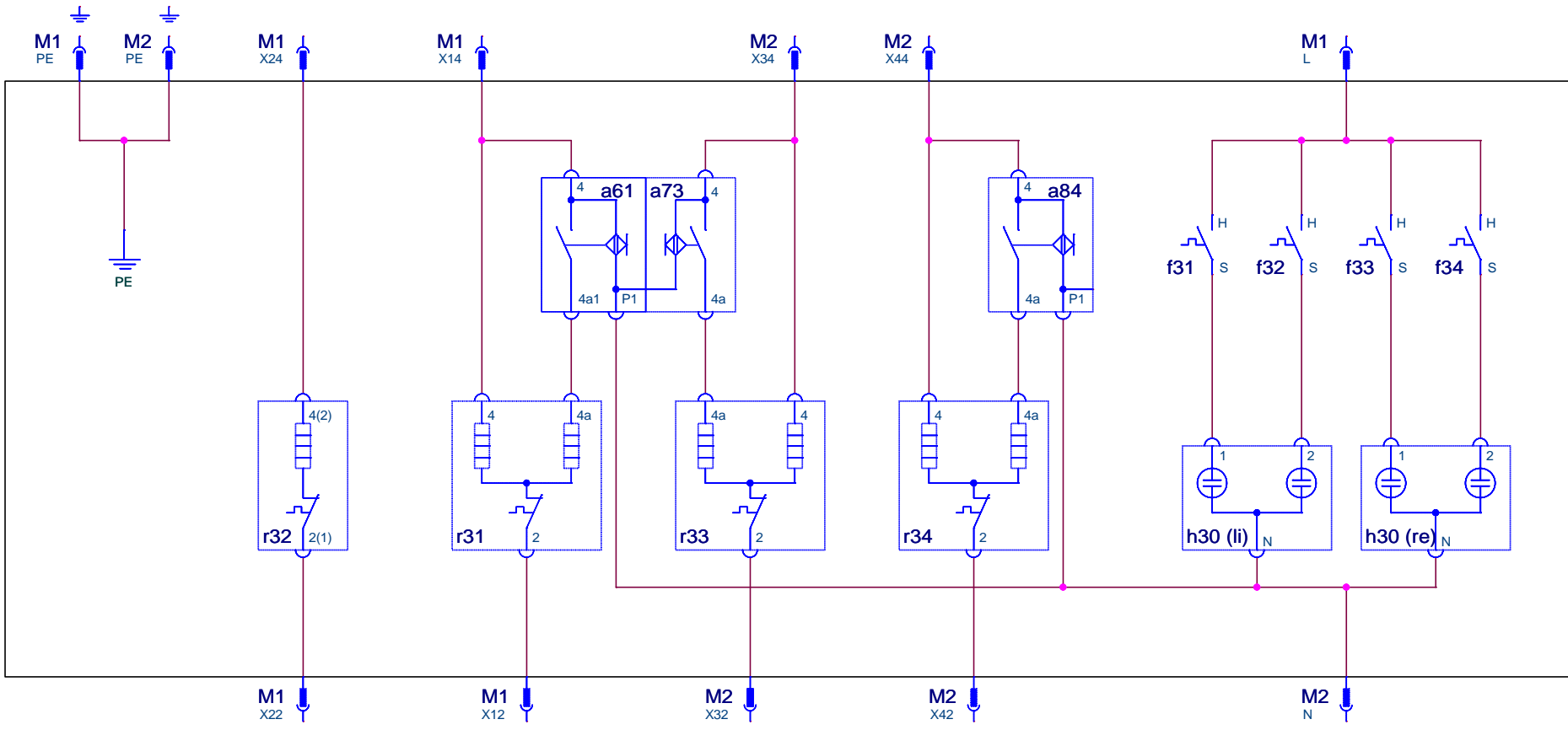
CRITICAL DIMENSIONS WHICH MUST BE UNDER CAPABILITY

SAFETY RISKS
VISIBLE SURFACES
DRAFT ANGLES (NOT SHOWN): 07°/00'00"

THEORETICAL FLAT AREA
DEVELOPED FLAT AREA

GENERAL TOLERANCES
ANGLES : ±°
LENGTHS AND DIAMETERS :
-18-30mm : ±0.15mm
30-60mm : ±0.20mm
60-100mm : ±0.25mm

A4



DESIGN		OWNER	DRN	CHD	DATE	DESIGN	USERS	EUROPEAN METHOD	
DGT		DGR-PE_PD		Weiß	04-01-28	<Dsn>	<Ustr>		
A		new drawing created			Weiß	DGT 21406	04-01-28		
ZUST		MODIFICATIONS			SIGNATURE	REQUEST	DATE		
TITLE		circuit diagram hob							
TITEL		Schaltplan Mulde							
NUMBER		330 6747		SHEET		01(01)		REV	
								A	

