

THE TERMS SHOWN IN THIS DRAWING MUST NOT CONTAIN FORMALDEHYDE, CADMIUM, MERCURY, ASBESTOS OR PBB/PBDO.

THIS DRAWING CONTAINS CONFIDENTIAL INFORMATION. IT'S PROPERTY OF ELECTROLUX. WITHOUT WHOSE PERMISSION IT MAY NOT BE COPIED, SHOWN OR HANDED TO A THIRD PARTY OR OTHERWISE USED, AND IT IS TO BE RETURNED PROMPTLY UPON REQUEST TO ELECTROLUX WHICH IS RESPONSIBLE FOR THE DRAWING.

CRITICAL DIMENSIONS WHICH MUST BE UNDER CAPABILITY

**SAFETY RISKS**

VISIBLE SURFACES  
DRAFT ANGLES (NOT SHOWN): 0°/0°/0°/0°

THEORETICAL FLAT AREA  
DEVELOPED FLAT AREA

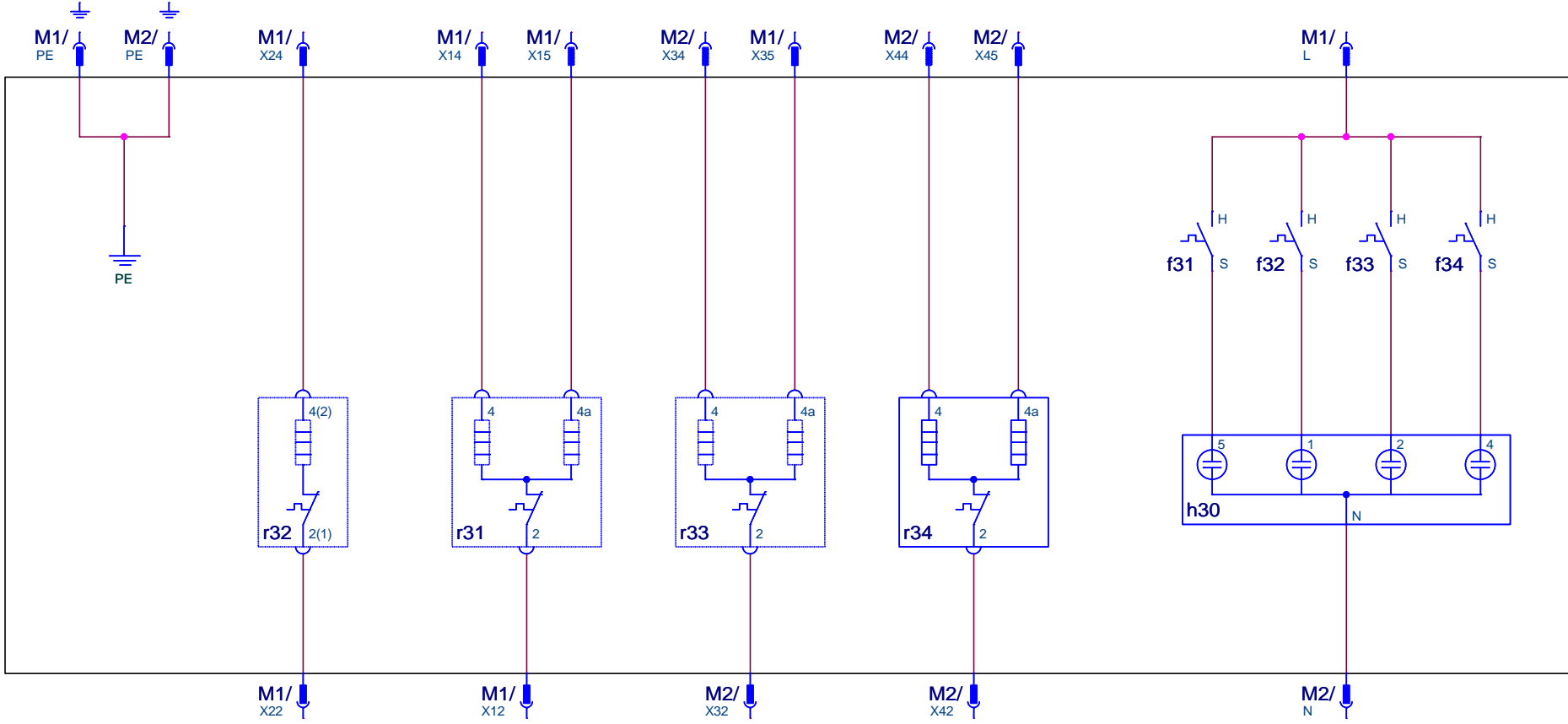
GENERAL TOLERANCES

ANGLES

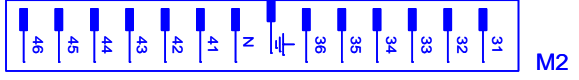
LENGTHS AND DIAMETERS

±0.10 mm  
±0.20 mm  
±0.30 mm

**A4**



CONTACTHOUSING 1 - 2 230V



CONTACTHOUSING 3 - 4 230V

DESIGN		OWNER		DRN		CHD		DATE		DESIGN		USERS		EUROPEAN METHOD							
DGT		DGR-PE_PD		Renner		Renner		03-03-31		-		-									
										TITLE		circuit diagram hob									
										TITEL		Schaltplan Mulde									
										NUMBER		330 6728		SHEET		01(01)		REV		A	

A	new drawing created			Georgi	DGT 21307	04-01-07	
ZUST	MODIFICATIONS				SIGNATURE	REQUEST	DATE