

THE ITEMS SHOWN IN THIS DRAWING MUST NOT BE USED IN CONTACT WITH FOOD OR FEEDSTUFFS. THIS DRAWING MUST NOT BE REPRODUCED OR TRANSMITTED IN ANY FORM OR BY ANY MEANS, ELECTRONIC, MECHANICAL, PHOTOCOPYING, RECORDING, OR BY ANY INFORMATION STORAGE AND RETRIEVAL SYSTEM, WITHOUT THE WRITTEN PERMISSION OF ELECTROLUX. ELECTROLUX ASSUMES NO LIABILITY FOR DAMAGES OF ANY KIND, INCLUDING CONSEQUENTIAL DAMAGES, ARISING FROM THE USE OF THIS DRAWING. ELECTROLUX ASSUMES NO LIABILITY FOR DAMAGES OF ANY KIND, INCLUDING CONSEQUENTIAL DAMAGES, ARISING FROM THE USE OF THIS DRAWING.

THIS DRAWING CONTAINS CONFIDENTIAL INFORMATION. IT IS THE PROPERTY OF ELECTROLUX AND NOT TO BE REPRODUCED, COPIED, OR TRANSMITTED IN ANY FORM OR BY ANY MEANS, ELECTRONIC, MECHANICAL, PHOTOCOPYING, RECORDING, OR BY ANY INFORMATION STORAGE AND RETRIEVAL SYSTEM, WITHOUT THE WRITTEN PERMISSION OF ELECTROLUX. ELECTROLUX ASSUMES NO LIABILITY FOR DAMAGES OF ANY KIND, INCLUDING CONSEQUENTIAL DAMAGES, ARISING FROM THE USE OF THIS DRAWING.

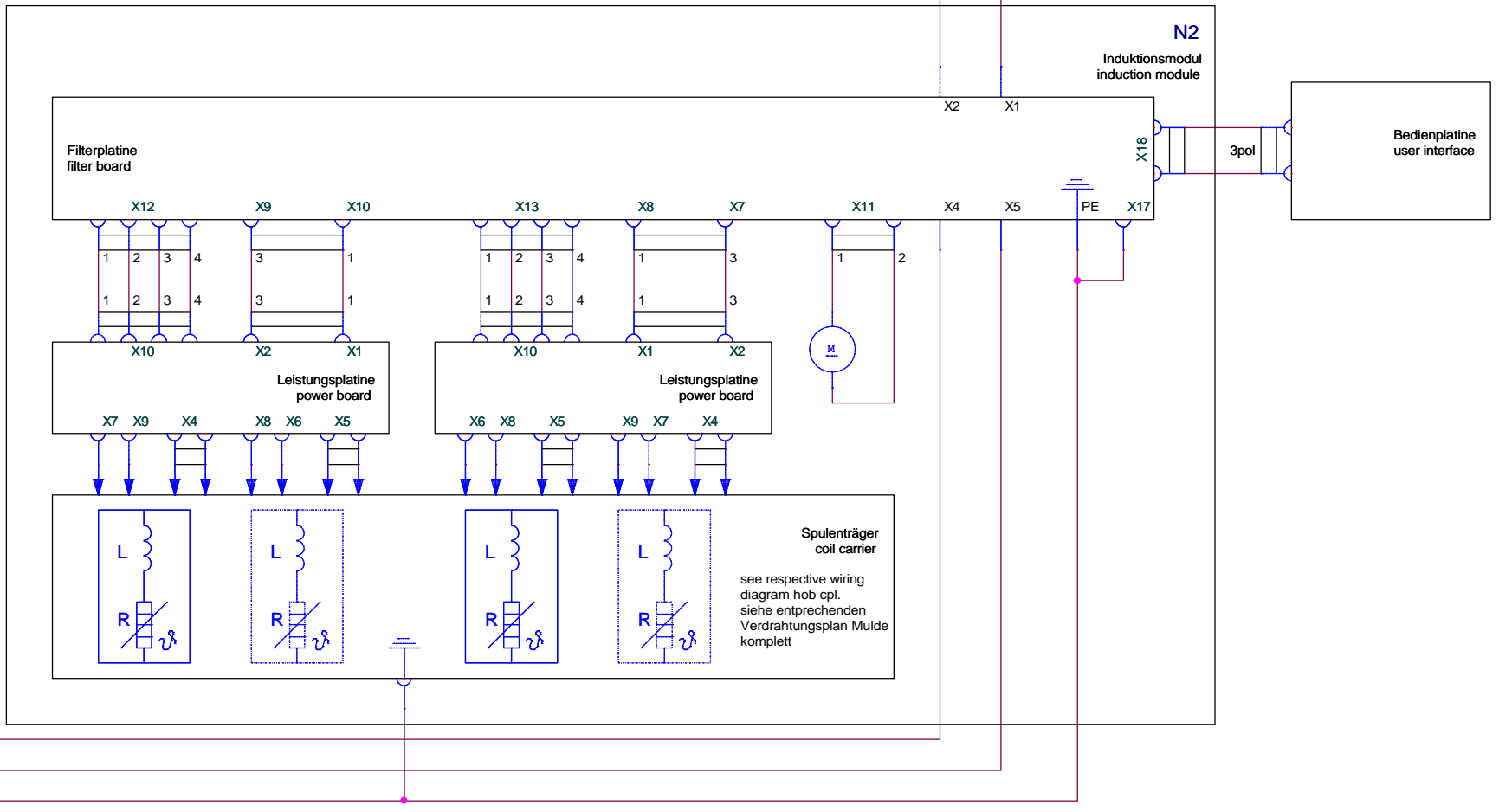
CRITICAL DIMENSIONS WHICH MUST BE UNDER CAPABILITY [2] SAFETY RISKS VISIBLE SURFACES DRAFT ANGLES (NOT SHOWN): 00°00'00"

THEORETICAL FLAT AREA DEVELOPED FLAT AREA

GENERAL TOLERANCES ANGLES : ±° LENGTHS AND DIAMETERS : ±0.10 mm ±0.20 mm ±0.50 mm A4

X1/ 1
X1/ 2
X1/ 3

X1/ 4
X1/ 5
X1/ PE



A		First Edition		Georgl		DGT 21008		03-12-08	
ZUST		MODIFICATIONS		SIGNATURE		REQUEST		DATE	
DESIGN	OWNER	DRN	GRD	DATE	DESIGN	USERS	EUROPEAN METHOD		
DGT		DGR-PE_PD	Weiß Weiß	03-12-08	-	-			
					TITLE circuit diagram induction G4 TITEL Schaltplan Induktion G4				
NUMBER 330 6687					SHEET 01(01)		REV A		