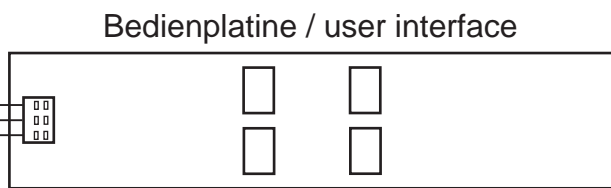
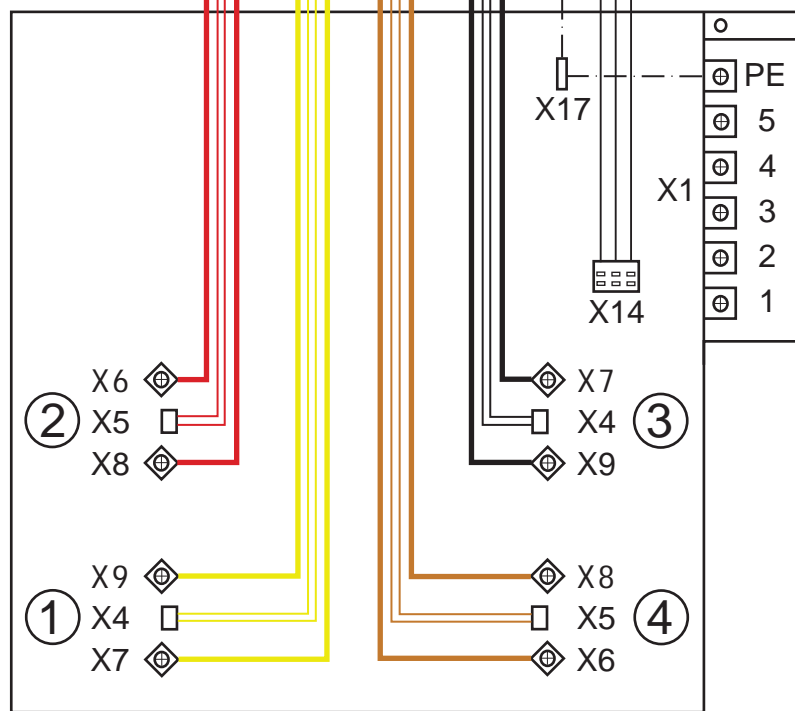
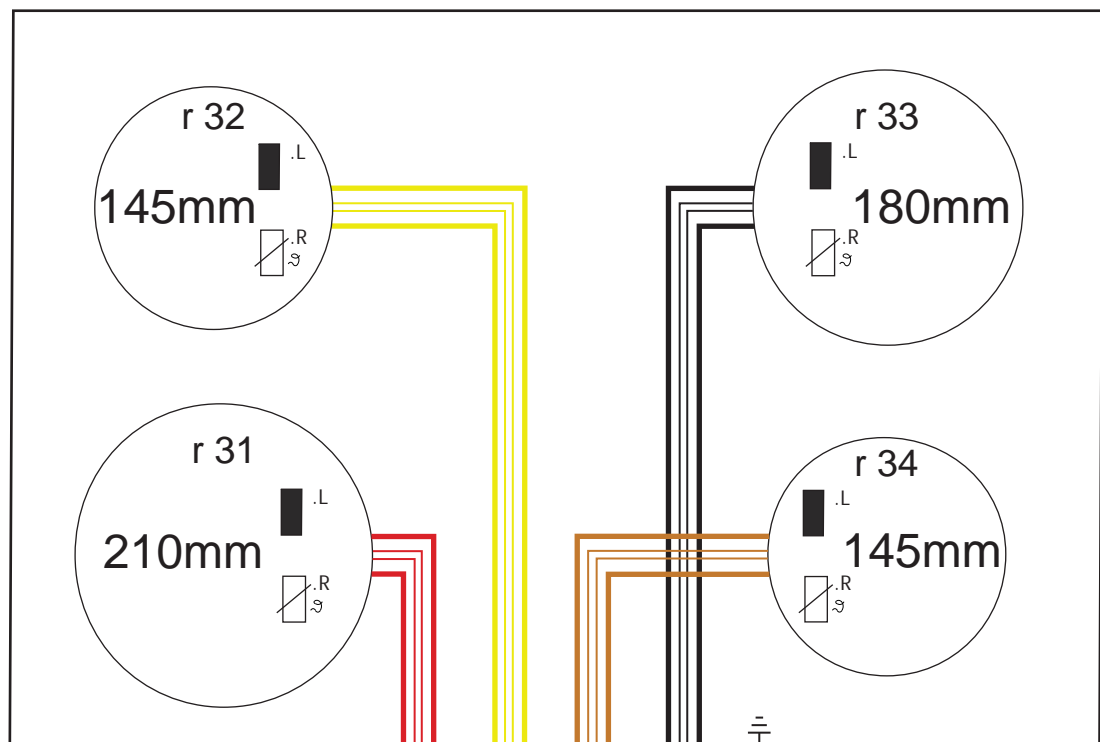


Ansicht von oben!



Bezeichnung	designation	Elux Sachnummer	Elux part no
Liste Anschlagteile	list of crimp contacts	330 1766 00	
Betriebsmittelliste	list of components	330 2222 00	
Liste Einzellitzen	list of single wires	330 5347 00	
Anschlußbezeichnungen	Port identification	330 6406 00	

A	new drawing created			Weiß	DGT20992	05.12.03
POS	MODIFICATIONS			SIGNATURE	REQUEST	DATE
MATERIAL Leitungsmaterial in Silicon Temp. best. min 180 °C Insulation of the cord is silicon, temperature-resistance: min 180 °C				MODEL		EUROPEAN METHOD
DESIGN USERS				REPLACES No		
TREATMENT				DERIVED FROM No		
DESIGN OWNER	DRN	CHD	Weiß	DATE		TITLE wiring hob cpl. Verdrahtung Mulde komplett
DGT	DGR-PE_PD	APPR	Weiß	05.12.03		
				NUMBER	SHEET	REV
				330 6677	01(01)	A

330 6677 00	DGT	wiring hob indep., touch induktion G4 (Std. 2)
VARIANT NUMBER	MODEL	DESIGN USERS
		CHANGES FROM THE BASE NUMBER

This drawing contains confidential information and is the property of Electrolux without whose permission it may not be copied, shown or handed to a third party or otherwise used, and it is to be returned promptly upon request to the Electrolux which is responsible for the drawing.

[2] Critical dimensions which must be under capability SAFETY REQUIREMENT Visible surfaces: Draft angles (not shown):

THEORETICAL FLAT AREA
DEVELOPED FLAT AREA
GENERAL TOLERANCES
ANGLES
LENGTHS AND DIAMETERS
ISO 2768-m

8 7 6 5 4 3 2

8 7 6 5 4 3 2

E
D
C
B
A