

THE TERMS SHOWN IN THIS DRAWING MUST NOT CONTAIN FORMALDEHYDE, CADMIUM, MERCURY, ASBESTOS OR PBB/PBDO.

THIS DRAWING CONTAINS CONFIDENTIAL INFORMATION. IT'S PROPERTY OF ELECTROLUX. WITHOUT WHOSE PERMISSION IT MAY NOT BE COPIED, SHOWN OR HANDED TO A THIRD PARTY OR OTHERWISE USED, AND IT IS TO BE RETURNED PROMPTLY UPON REQUEST TO ELECTROLUX WHICH IS RESPONSIBLE FOR THE DRAWING.

CRITICAL DIMENSIONS WHICH MUST BE UNDER CAPABILITY

SAFETY RISKS

VISIBLE SURFACES

DRAFT ANGLES (NOT SHOWN): 0°/0°/0°/0°

THEORETICAL FLAT AREA

DEVELOPED FLAT AREA

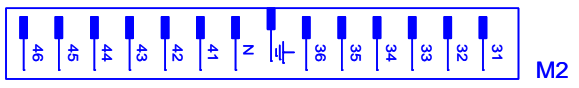
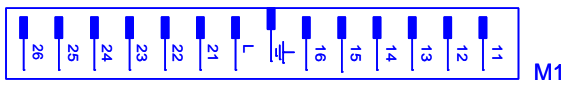
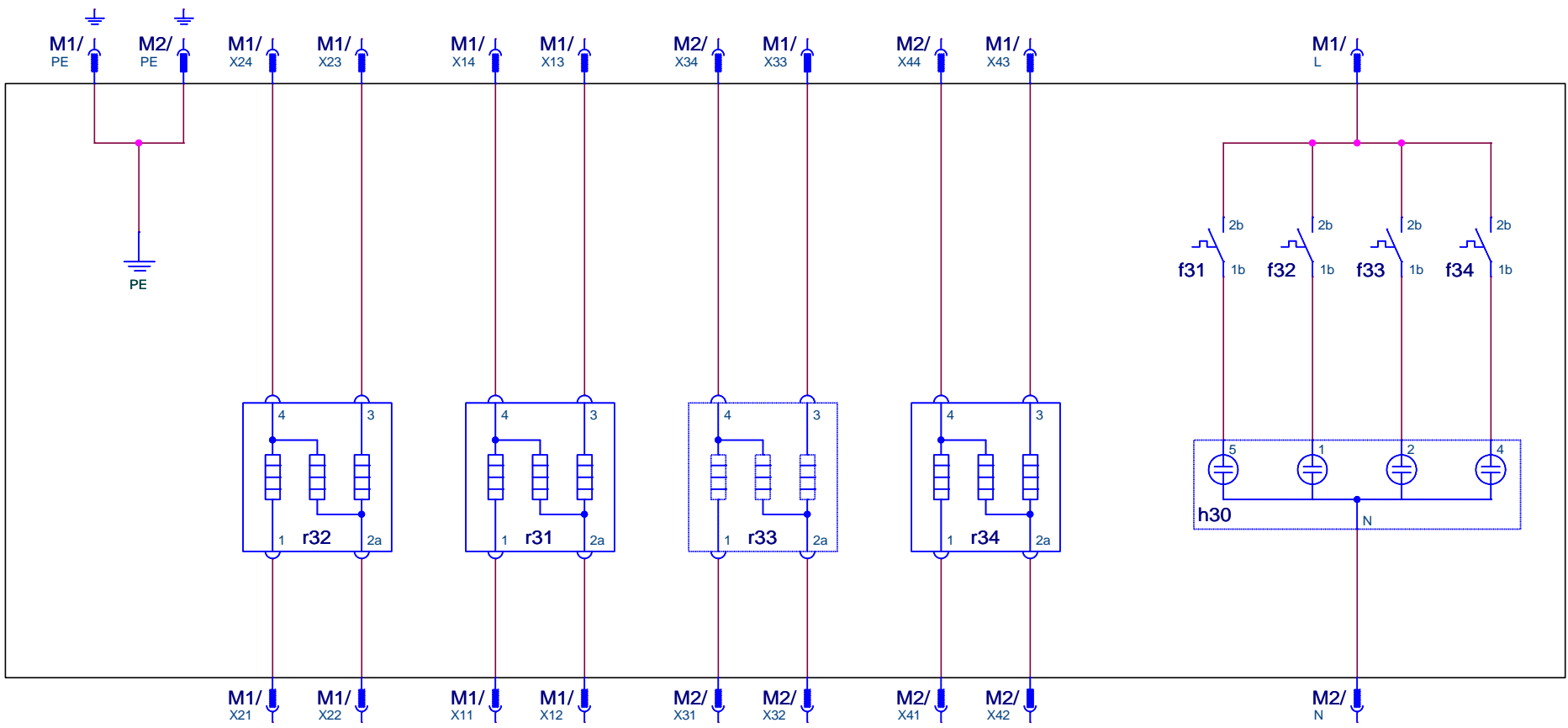
GENERAL TOLERANCES

ANGLES

LENGTHS AND DIAMETERS

±0.10 mm
±0.15 mm
±0.20 mm

A4



DESIGN		OWNER	DRN	CHD	DATE	DESIGN	USERS	EUROPEAN METHOD	
DGT		DGR-PE_PD		Renner	03-12-01	-	-		
ZUST		MODIFICATIONS			SIGNATURE		REQUEST	DATE	
A		new drawing created			Georgi		DGT 20922	03-12-01	
<p>Electrolux</p> <p>TITLE: circuit diagram hob</p> <p>TITEL: Schaltplan Mulde</p> <p>NUMBER: 330 6667</p> <p>SHEET: 01(01)</p> <p>REV: A</p>									