

THE ITEM(S) SHOWN IN THIS DRAWING MUST NOT CONTAIN FORMALDEHYDE, CADMIUM, MERCURY, ASBESTOS OR PBB/PBDO.

THIS DRAWING CONTAINS CONFIDENTIAL INFORMATIONS. IT'S PROPERTY OF ELECTROLUX WITHOUT WHOSE PERMISSION IT MAY NOT BE COPIED, SHOWN OR HANDED TO A THIRD PARTY OR OTHERWISE USED, AND IT IS TO BE RETURNED PROMPTLY UPON REQUEST TO ELECTROLUX WHICH IS RESPONSIBLE FOR THE DRAWING.

[2] CRITICAL DIMENSIONS WHICH MUST BE UNDER CAPABILITY

SAFETY RISKS

--- : VISIBLE SURFACES
DRAFT ANGLES (NOT SHOWN): 00°00'00"

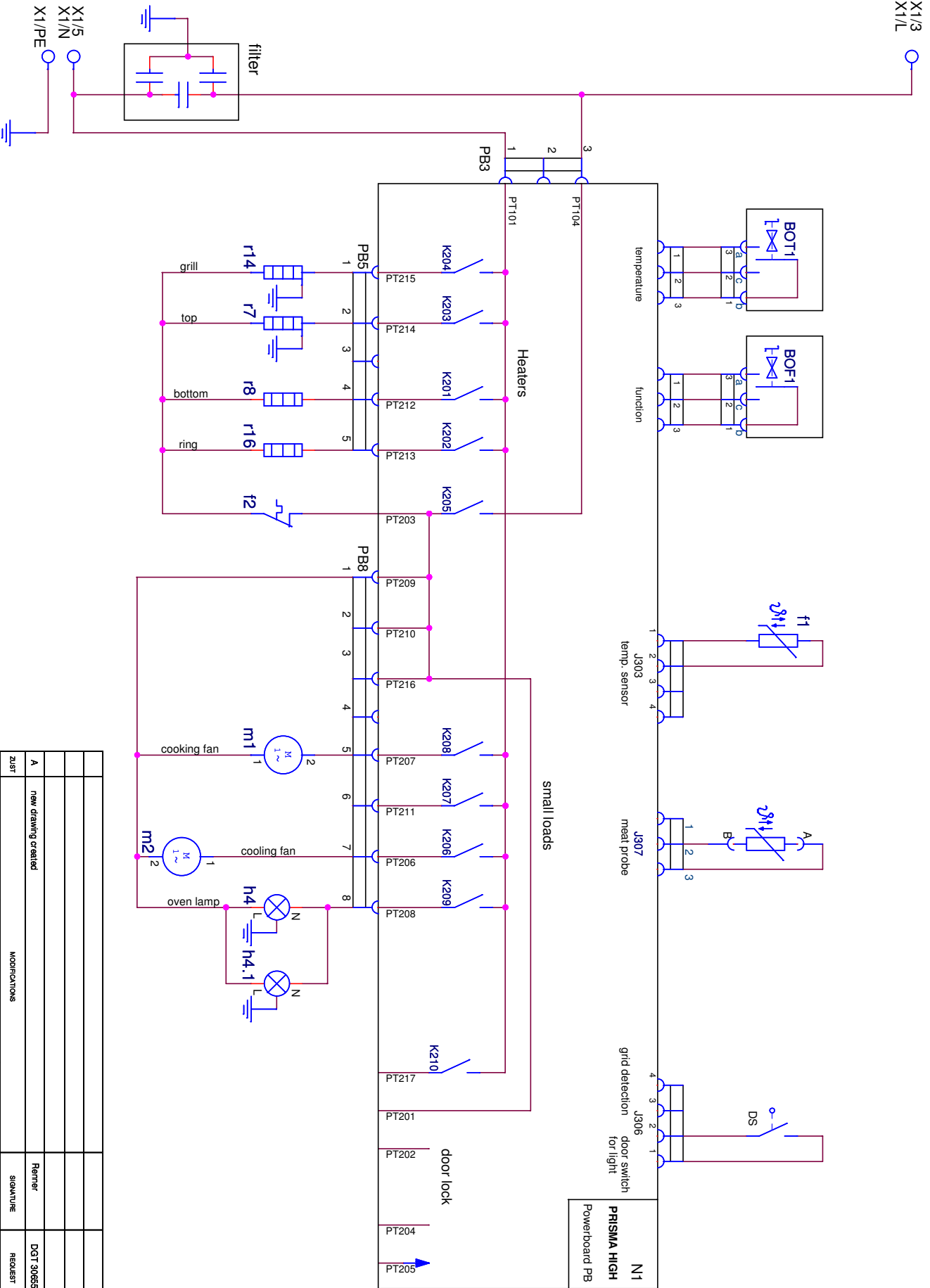
THEORETICAL FLAT AREA

DEVELOPED FLAT AREA

GENERAL TOLERANCES

ANGLES : ± 0.5°
LENGTHS AND DIAMETERS:
<18 mm. : ± 0.1 mm
18 - 80 mm. : ± 0.2 mm
>80 mm. : ± 0.3 mm

A4



DESIGN		OWNER		DGN		DATE		DESIGN		DATE	
A		new drawing created		DGR-PE_PD		2005-07-06		Remmer		2005-07-06	
ZUST				Remmer				Remmer			
DESIGN		OWNER		DGN		DATE		DESIGN		DATE	
DGT				Remmer		2005-07-06		Remmer		2005-07-06	
TITLE		DESIGN		DGT		DATE		DESIGN		DATE	
Schottplan Herd		Remmer		DGT 30655		2005-07-06		Remmer		2005-07-06	
Circuit diagram oven		Remmer		DGT 30655		2005-07-06		Remmer		2005-07-06	
NUMBER		TITLE		DESIGN		DATE		DESIGN		DATE	
330 6427		Schottplan Herd		DGT 30655		2005-07-06		Remmer		2005-07-06	
SHEET		NUMBER		REQUEST		REQUEST		REQUEST		REQUEST	
01 (01)		01 (01)									
REV		REV		REV		REV		REV		REV	
A		A		A		A		A		A	

Electrolux

330 6427

01 (01)

A