

THE ITEM(S) SHOWN IN THIS DRAWING MUST NOT CONTAIN FORMALDEHYDE, CADMIUM, MERCURY, ASBESTOS OR PBB/PBDO.

THIS DRAWING CONTAINS CONFIDENTIAL INFORMATION. ITS PROPERTY OF ELECTROLUX WITHOUT WHOSE PERMISSION IT MAY NOT BE COPIED, SHOWN OR HANDED TO A THIRD PARTY OR OTHERWISE USED, AND IT IS TO BE RETURNED PROMPTLY UPON REQUEST TO ELECTROLUX WHICH IS RESPONSIBLE FOR THE DRAWING.

CRITICAL DIMENSIONS WHICH MUST BE UNDER CAPABILITY

SAFETY RISKS

--- : VISIBLE SURFACES
--- : DRAFT ANGLES (NOT SHOWN): 0°/00'00"

THEORETICAL FLAT AREA
DEVELOPED FLAT AREA

GENERAL TOLERANCES

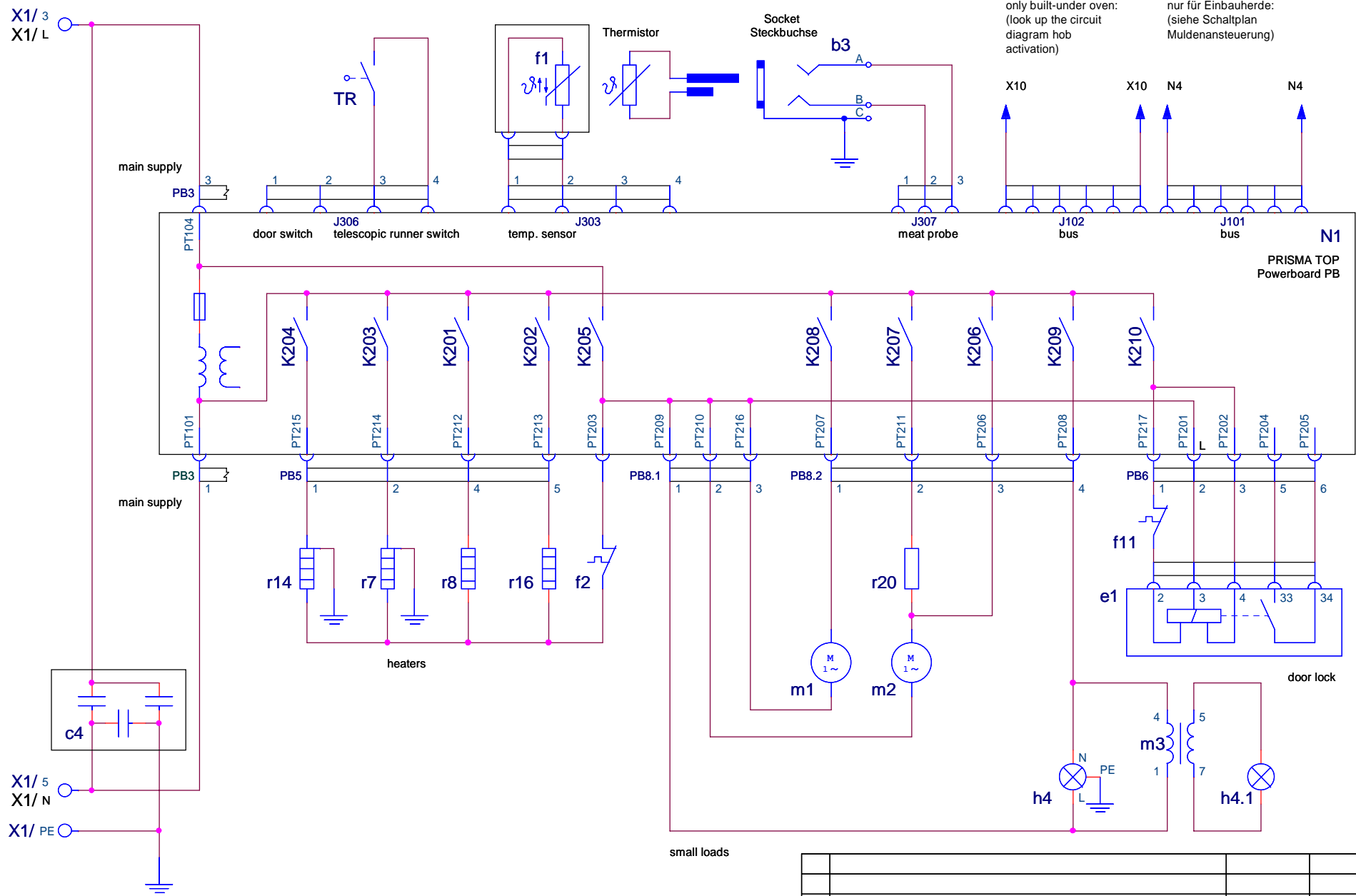
ANGLES : ±°

LENGTHS AND DIMETERS:

18-30mm : ±°

>30mm : ±°

A4



only built-under oven:
(look up the circuit diagram hob activation)

nur für Einbauberde:
(siehe Schaltplan Muldenansteuerung)

DESIGN		OWNER	DRN	OD	Renner	DATE	DESIGN	USERS	EUROPEAN METHOD		
DGT		DGR-PE_PD	APPR	Georgi	Georgi	03-09-08	-	-			
MODIFICATIONS							SIGNATURE	REQUEST	DATE		
ZUST											
B delete the jumper of the door switch for light							Georgi	DGT 20522	03-11-12		
A First Edition							Georgi	DGT 19003	03-09-08		
TITLE							circuit diagram oven				
TITEL							Schaltplan Herd				
NUMBER							330 6416	SHEET	01 (01)	REV	B

