

THE ITEM(S) SHOWN IN THIS DRAWING MUST NOT CONTAIN FORMALDEHYDE, CADMIUM, MERCURY, ASBESTOS OR PBB/PBDO.

THIS DRAWING CONTAINS CONFIDENTIAL INFORMATION. ITS PROPERTY OF ELECTROLUX WITHOUT WHOSE PERMISSION IT MAY NOT BE COPIED, SHOWN OR HANDED TO A THIRD PARTY OR OTHERWISE USED, AND IT IS TO BE RETURNED PROMPTLY UPON REQUEST TO ELECTROLUX WHICH IS RESPONSIBLE FOR THE DRAWING.

CRITICAL DIMENSIONS WHICH MUST BE UNDER CAPABILITY

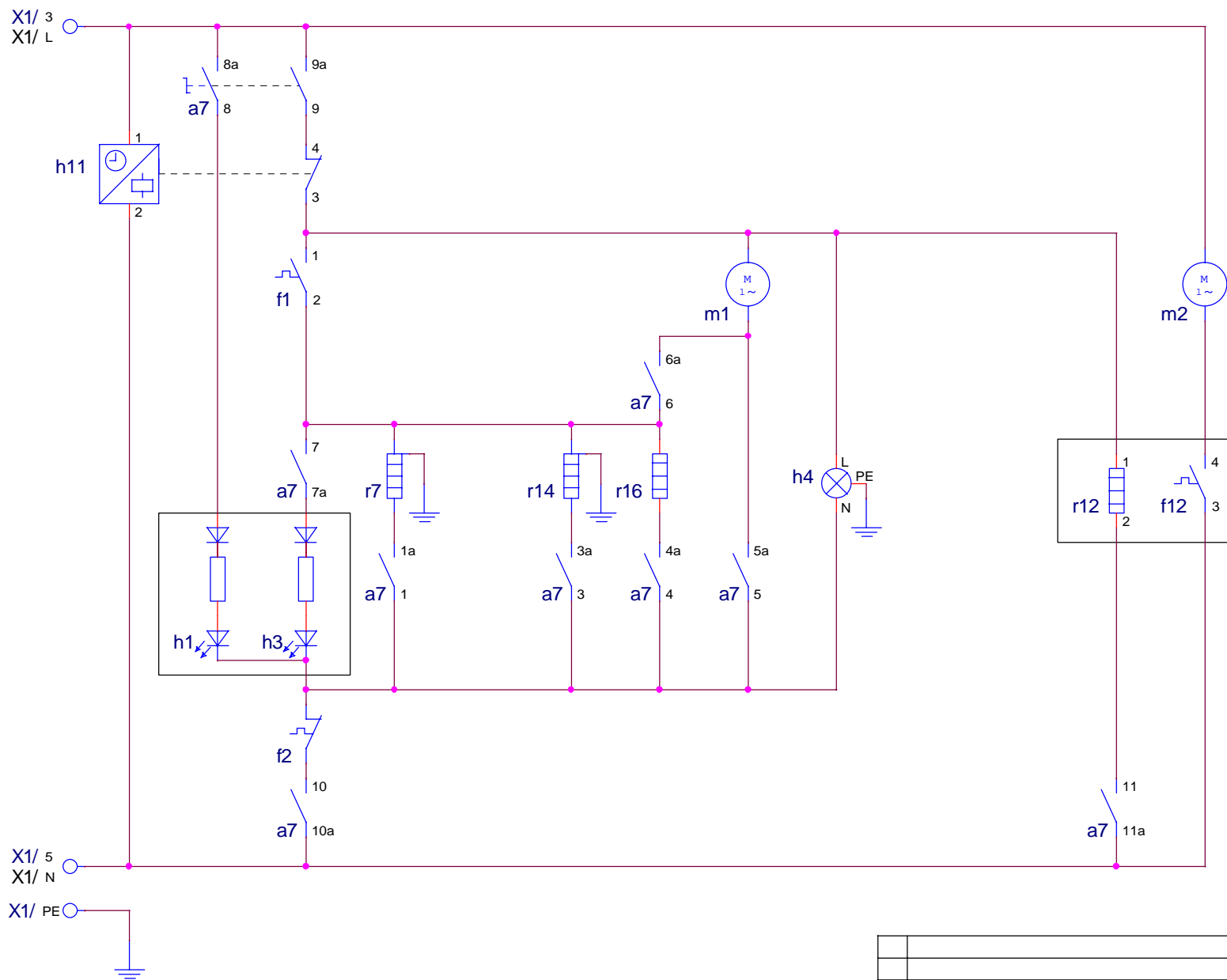
SAFETY RISKS

— : VISIBLE SURFACES
 DRAFT ANGLES (NOT SHOWN): 0°/000°

THEORETICAL FLAT AREA
 DEVELOPED FLAT AREA

GENERAL TOLERANCES
 ANGLES : ±°
 LENGTHS AND DIAMETERS
 < 18 mm : ±°
 18 - 30 mm : ±°
 > 30 mm : ±°

A4



A		First Edition		Georgi	DGT 19003	03-09-08	
ZUST	MODIFICATIONS				SIGNATURE	REQUEST	DATE
DESIGN	OWNER	DRN	CHD	DATE	DESIGN	USERS	EUROPEAN METHOD
DGT		DGR-PE_PD	Renner	03-09-08	-	-	
					TITEL		
					circuit diagram oven		
					Schaltplan Herd		
					NUMBER	SHEET	REV
					330 6415	01(01)	A

