

THE TERM(S) SHOWN IN THIS DRAWING MUST NOT CONTAIN FORMALDEHYDE, CADMIUM, MERCURY, ASBESTOS OR PBB/PBDO.

THIS DRAWING CONTAINS CONFIDENTIAL INFORMATION. IT'S PROPERTY OF ELECTROLUX. WITHOUT WHOSE PERMISSION IT MAY NOT BE COPIED, SHOWN OR HANDED TO A THIRD PARTY OR OTHERWISE USED, AND IT IS TO BE RETURNED PROMPTLY UPON REQUEST TO ELECTROLUX WHICH IS RESPONSIBLE FOR THE DRAWING.

CRITICAL DIMENSIONS WHICH MUST BE UNDER CAPABILITY

SAFETY RISKS

VISIBLE SURFACES

DRAFT ANGLES (NOT SHOWN): 0°/0°/0°/0°

THEORETICAL FLAT AREA

DEVELOPED FLAT AREA

GENERAL TOLERANCES

ANGLES : ±°

LENGTHS AND DIMETERS:

±0.30 mm

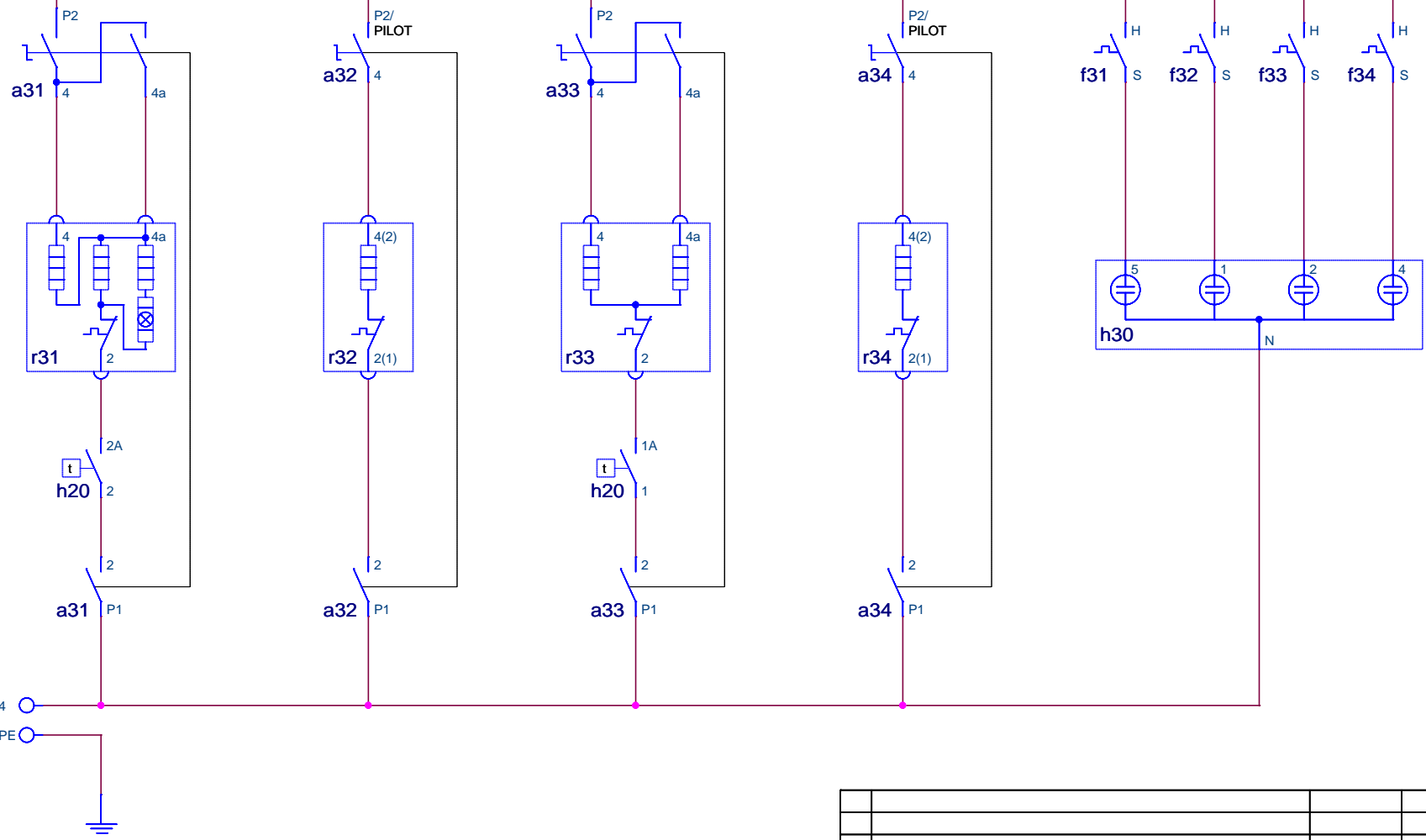
±0.40 mm

±0.50 mm

A4

X1/1
X1/2
X1/3

X1/4
X1/PE



A				new drawing created		Georgi		DGT 18881		03-09-03			
ZUST				MODIFICATIONS				SIGNATURE		REQUEST		DATE	
DESIGN	OWNER	DRN	CHD	DATE	DESIGN	USERS					EUROPEAN METHOD		
DGT		DGR-PE_PD	Weiß	03-09-03	-	-							
						TITLE circuit diagram hob TITEL Schaltplan Mulde NUMBER 330 6332 SHEET 01(01) REV A							