

THE TERMS SHOWN IN THIS DRAWING MUST NOT BE USED FOR CODES OF MATERIALS, CADMIUM, MERCURY, ASBESTOS OR PBB/PBDO.

THIS DRAWING CONTAINS CONFIDENTIAL INFORMATION. IT IS THE PROPERTY OF ELECTROLUX AND MUST NOT BE REPRODUCED, COPIED, EITHER WHOLLY OR PARTIALLY, OR TRANSMITTED TO A THIRD PARTY OR OTHERWISE USED, AND IT IS TO BE RETURNED PROMPTLY UPON REQUEST TO ELECTROLUX WHICH IS RESPONSIBLE FOR THE DRAWING.

CRITICAL DIMENSIONS WHICH MUST BE UNDER CAPABILITY

SAFETY RISKS

VISIBLE SURFACES

DRAFT ANGLES (NOT SHOWN): 00°00'00"

THEORETICAL FLAT AREA

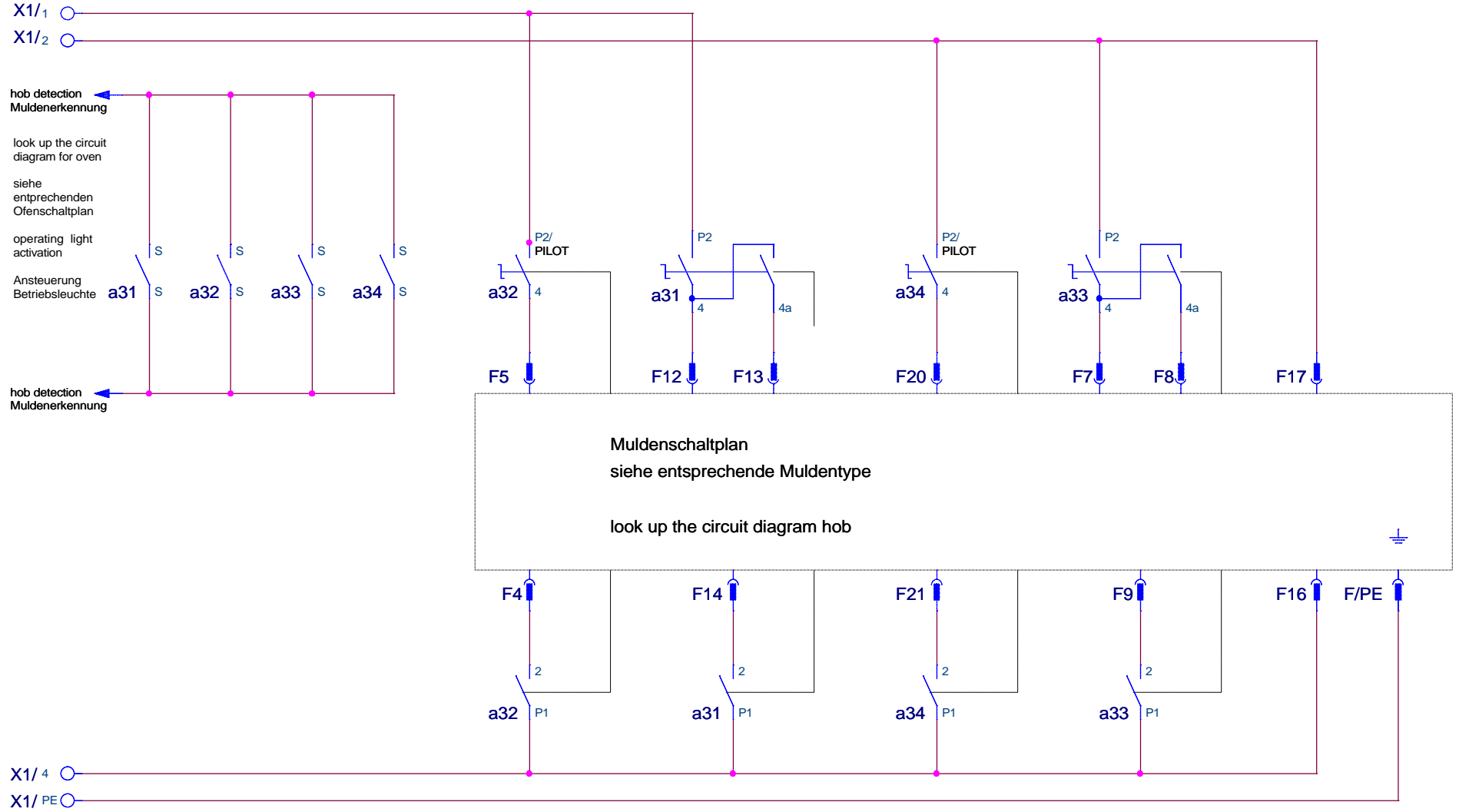
DEVELOPED FLAT AREA

GENERAL TOLERANCES

ANGLES

LENGTHS AND DIAMETERS

A4



hob detection
Muldenerkennung

look up the circuit diagram for oven
siehe entsprechenden Ofenschaltplan

operating light activation
Ansteuerung Betriebsleuchte

hob detection
Muldenerkennung

Legende

X1	Netzanschlussklemme	main terminal housing 21pol
F	Buchsengehäuse 21pol	housing 21pol
a31	Energierегler vorne links	energy regulator front left
a32	Energierегler hinten links	energy regulator rear left
a33	Energierегler hinten rechts	energy regulator rear right
a34	Energierегler vorne rechts	energy regulator front right

A				new drawing created		Renner	DGT 18308	04-02-11	
ZUST	MODIFICATIONS						SIGNATURE	REQUEST	DATE
DESIGN	OWNER	DRN	APP	DATE	DESIGN	USERS	EUROPEAN METHOD		
DGT		DGR-PE_PD	Renner	04-02-11	-	-			
Electrolux					TITLE				
					circuit diagram hob control				
					TITEL				
					Schaltplan Muldenansteuerung				
					NUMBER	SHEET	REV		
					330 6251	01(01)	A		