

THE ITEM(S) SHOWN IN THIS DRAWING MUST NOT CONTAIN FORMALDEHYDE, CADMIUM, MERCURY, ASBESTOS OR PBB/PBDO.

THIS DRAWING CONTAINS CONFIDENTIAL INFORMATION. ITS PROPERTY OF ELECTROLUX WITHOUT WHOSE PERMISSION IT MAY NOT BE COPIED, SHOWN OR HANDED TO A THIRD PARTY OR OTHERWISE USED, AND IT IS TO BE RETURNED PROMPTLY UPON REQUEST TO ELECTROLUX WHICH IS RESPONSIBLE FOR THE DRAWING.

CRITICAL DIMENSIONS WHICH MUST BE UNDER CAPABILITY

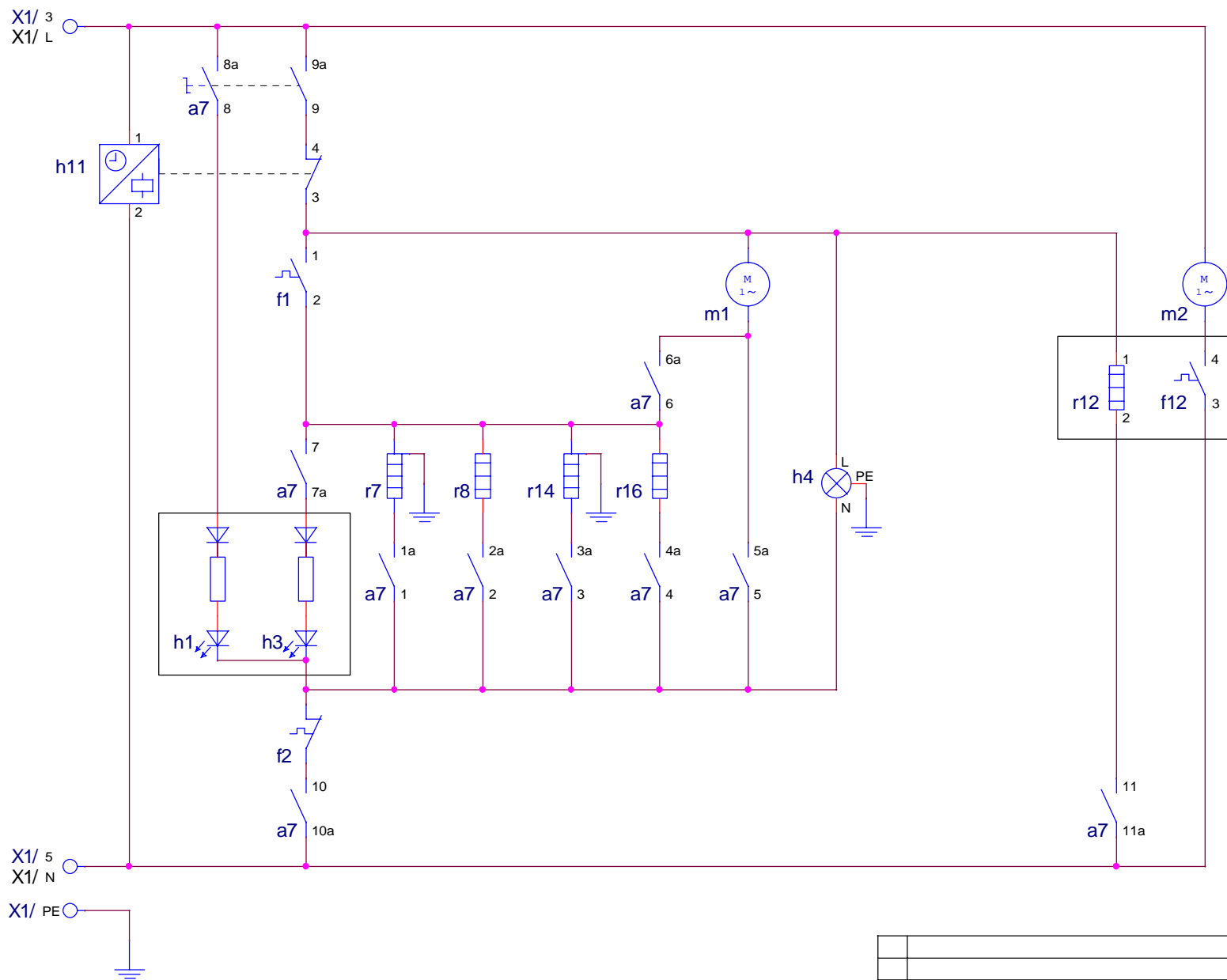
**SAFETY RISKS**

--- : VISIBLE SURFACES  
 --- : DRAFT ANGLES (NOT SHOWN): 0°/000°

THEORETICAL FLAT AREA  
 DEVELOPED FLAT AREA

GENERAL TOLERANCES  
 ANGLES : ±°  
 LENGTHS AND DIAMETERS  
 < 18 mm : ±°  
 18 mm : ±°  
 > 18 mm : ±°

**A4**



DESIGN		OWNER	DRN	CHD	DATE	DESIGN	USERS	EUROPEAN METHOD	
DGT		DGR-PE_PD	Renner	APPR	03-07-15	-	-		
ZUST		MODIFICATIONS				SIGNATURE		REQUEST	DATE
B		diode was added				Georgi		DGT 18935	03-09-03
A		new drawing created				Georgi		DGT 18112	03-07-15
TITLE						circuit diagram oven			
TITEL						Schaltplan Herd			
NUMBER						330 6198		SHEET	REV
						01(01)		B	

